

GU10 LED N

Lampadina led



 220-240 AC	 50	 SMD	 120° Φ _{use}	 ellipse ≤ 6x Macdam	 Ra 80	



GU10 LED N 4W-CW

GU10 LED N 4W-CW	31013	4	300	240	5300	120	GU10 ≥10000	15000 G
GU10 LED N 4W-NW	31015	4	300	240	4000	120	GU10 ≥10000	15000 G
GU10 LED N 4W-WW	31012	4	300	240	3000	120	GU10 ≥10000	15000 G
GU10 LED N 6W-CW	31011	6	450	360	5300	120	GU10 ≥15000	20000 G
GU10 LED N 6W-NW	31014	6	440	350	4000	120	GU10 ≥15000	20000 G
GU10 LED N 6W-WW	31010	6	430	340	3000	120	GU10 ≥15000	20000 G
GU10 LED N 8W-CW	31041	8	580	470	5300	120	GU10 ≥15000	15000 G
GU10 LED N 8W-WW	31040	8	580	470	3000	120	GU10 ≥15000	15000 G

Le sorgenti luminose GU10 LED sono realizzate in plastica bianca. Il loro angolo d'illuminazione è di 120° e la distribuzione uniforme della luce è garantito da un vetro opaco e lattescente.

- Materiale: materiale plastico
- Materiale del diffusore: materiale plastico

GU10 LED N

Lampadina led



GU10 LED N 4W-CW



GU10 LED N 4W-NW



GU10 LED N 4W-WW



GU10 LED N 6W-CW



GU10 LED N 6W-NW



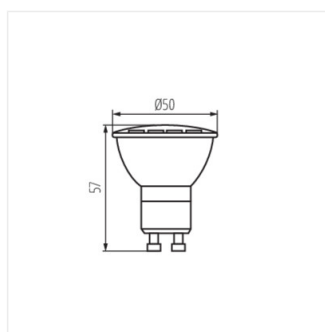
GU10 LED N 6W-WW



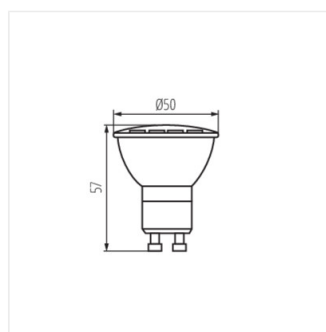
GU10 LED N 8W-CW



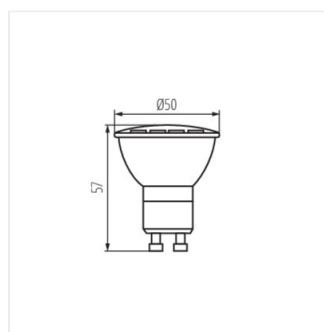
GU10 LED N 8W-WW



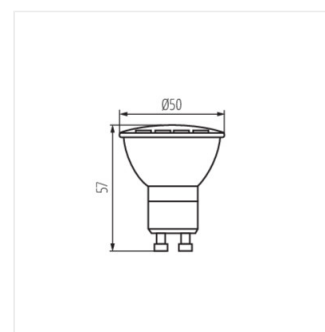
GU10 LED N 4W-CW



GU10 LED N 4W-NW



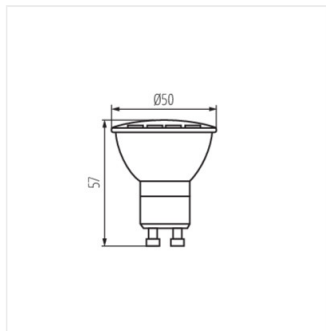
GU10 LED N 4W-WW



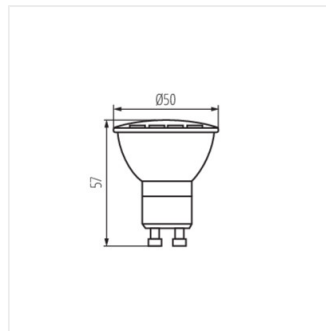
GU10 LED N 6W-CW

GU10 LED N

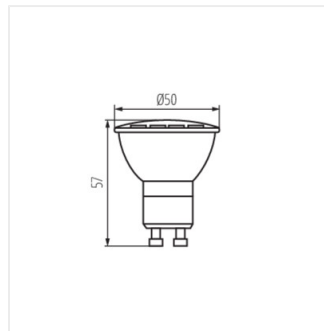
Lampadina led



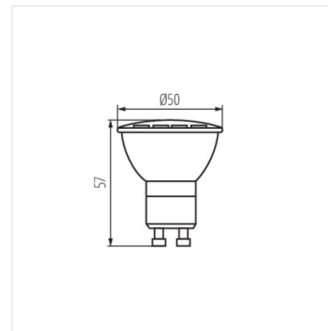
GU10 LED N 6W-NW



GU10 LED N 6W-WW



GU10 LED N 8W-CW



GU10 LED N 8W-WW