

# IQ-LED

## Kanlux

### IQ-LED C37

Lampadina led



[V] 220-240 AC	[Hz] 50	SMD	360° Φ <sub>use</sub>	ellipse ≤ 6x MacAdam	Ra 80	≥40000
25000 [h]	Hg		CE	EAC	UK CA	



IQ-LED C37E14 4,2W-WW



Model	Power [W]	Beam Angle [°]	Beam Diameter [mm]	Temp [K]	Beam Diameter [mm]	Base	Class
IQ-LED C37E14 4,2W-WW	33728	4,2	40	470	2700	300	E14 E
IQ-LED C37E14 4,2W-NW	33729	4,2	40	470	4000	300	E14 E
IQ-LED C37E14 7,2W-WW	33731	7,2	60	806	2700	280	E14 E
IQ-LED C37E14 7,2W-NW	33732	7,2	62	840	4000	280	E14 E
IQ-LED C37E14 7,2W-CW	33733	7,2	62	840	6500	280	E14 E

Kanlux IQ-LED significa sicurezza fotobiologica, temperatura di colore sicura per i nostri occhi e affidabilità, il tutto abbinato ad un design di una classica lampadina C37. Le lampade IQ-LED garantiscono un confort.

- Materiale: plastica
- Diffusore: plastica

**iQ** LED

**Kanlux**

## IQ-LED C37

Lampadina led



IQ-LED C37E14 4,2W-WW



IQ-LED C37E14 4,2W-NW



IQ-LED C37E14 7,2W-WW



IQ-LED C37E14 7,2W-NW



IQ-LED C37E14 7,2W

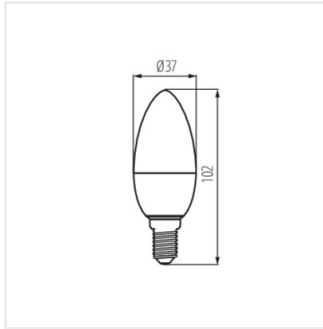
**iQ** LED

**Kanlux**

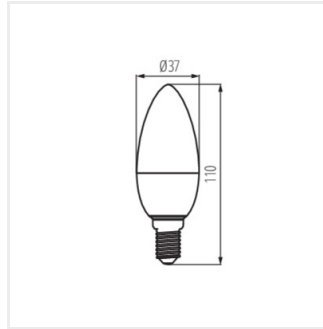
## IQ-LED C37

---

Lampadina led



IQ-LED C37E14 4,2W



IQ-LED C37E14 7,2W