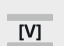
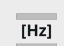






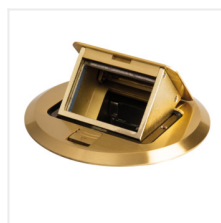


## BIURO+

### Floor installation box

|  |  |   |  |   |   |
|--|--|---|--|---|---|
| <br>[V]<br>250 AC | <br>[Hz]<br>50/60 | <br>In[A]<br>16 | <br>3 | <br>IP<br>20 |  |
|                   |  |                  |  |   |   |



BIURO+ 04-0041-100



|                    |              |            |   |
|--------------------|--------------|------------|---|
| BIURO+ 04-0041-100 | <b>28310</b> | matt brass | 3 |
| BIURO+ 04-0042-100 | <b>28311</b> | aluminium  | 3 |

Metal floor box BIURO plus is designed for installation in screed floors. This is a box for 1.5 of full 45 modules or three 22.5 half modules. The box set includes a cover protecting it in the case of screed finishing. The box lid has a release trigger, the use of which activates the spring mechanism and opens the box. Round box of BIURO plus series is available in two colour versions.

## BIURO+

---

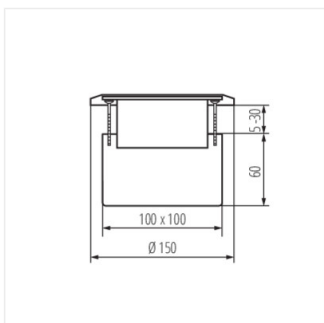
### Floor installation box



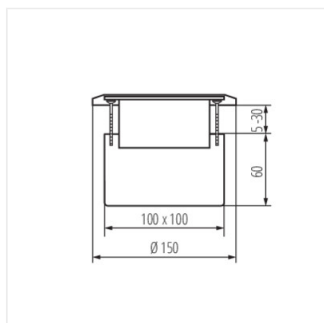
BIURO+ 04-0041-100



BIURO+ 04-0042-100



BIURO+ 04-0041-100



BIURO+ 04-0042-100