

STATO LED

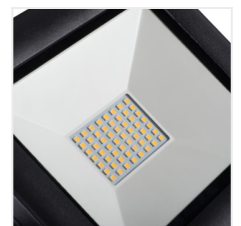
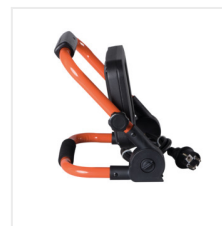
LED-es reflektor

IP
65

LED
technology



$[V]$ 220-240 AC	$[Hz]$ 50	Φ_{use} 120°	$[^\circ]$ 120	≥ 15000	$[h]$ 25000	ellipsze $\leq 6x$ Maxdam
R_a 80	SMD			IP 65	$[^\circ C]$ -20÷35	
	$[^\circ]$ 330	IK 07		$[m]$ 2	$[mm^2]$ 1	$[m]$ 1m
Hg	CE	EAC	UK CA			



	$PON [W]$	$[lm]$	$[lm] \Phi_{use}$	$T_c [K]$	R_a	E_i
STATO N LED 30W-B	29222	30	3150	2770	4000	fekete F
STATO N LED 50W-B	29223	50	5250	4430	4000	fekete F

- Lámpaház anyaga: alumínium ötvözet
- Védőüveg anyaga: edzett üveg
- Kar anyaga: acél



STATO LED

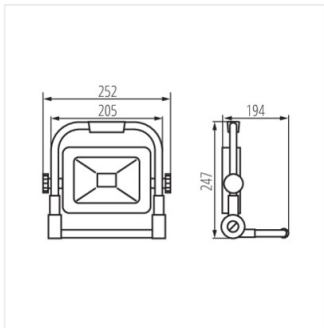
LED-es reflektor



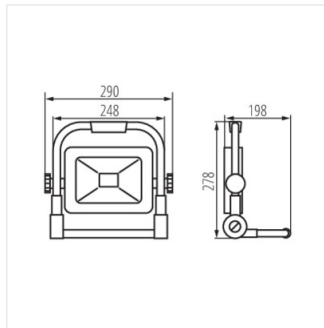
STATO N LED 30W-B



STATO N LED 50W-B



STATO N LED 30W-B



STATO N LED 50W-B