

FL AGOR LED

LED-es reflektor



[V] 220-240 AC	[Hz] 50	≥25000	50000	elliptise ≤ 6x Mackdam	Ra 80	SMD
		IP 65		°C -40÷35		180
IK 05		1	1m	Hg	CE	EAC
UK CA						



FL AGOR LED 100W NW



Model	Power [W]	Beam angle [°]	Light output [lm]	Useful light output [lm]	Temperature [K]	Beam angle [°]	Color rendering index [CRI]	Energy efficiency class [Ei]
FL AGOR LED 100W NW	33470	100	14000	11900	4000	100	fekete	D
FL AGOR LED 150W NW	33471	150	21000	18060	4000	100	fekete	D
FL AGOR LED 200W NW	33472	200	28000	23800	4000	100	fekete	D
FL AGOR/A LED 100W NW	33473	100	13000	9600	4000	X45/Y80	fekete	E
FL AGOR/A LED 150W NW	33474	150	19500	13650	4000	X45/Y80	fekete	F
FL AGOR/A LED 200W NW	33475	200	22000	17000	4000	X45/Y80	fekete	E

- 5 év garancia a weblapon elérhető garancianyilatkozatnak megfelelően
- Lámpaház anyaga: alumínium ötvözet
- Védőüveg anyaga: edzett üveg

FL AGOR LED

LED-es reflektor



FL AGOR LED 100W NW



FL AGOR LED 150W NW



FL AGOR LED 200W NW



FL AGOR/A LED 100W NW



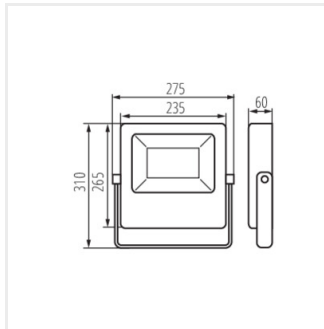
FL AGOR/A LED 150W NW



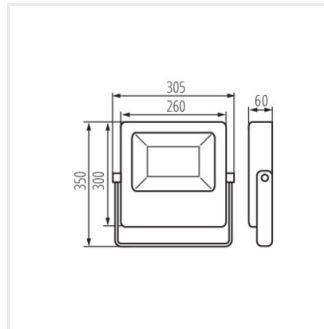
FL AGOR/A LED 200W NW

FL AGOR LED

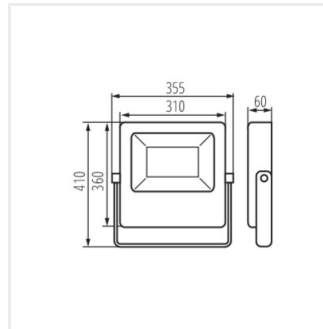
LED-es reflektor



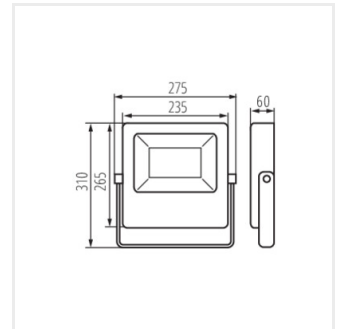
FL AGOR LED 100W NW



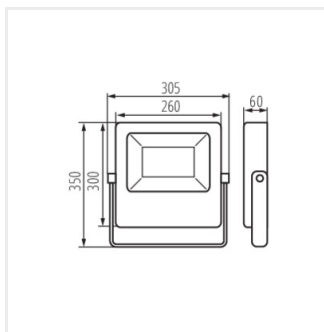
FL AGOR LED 150W NW



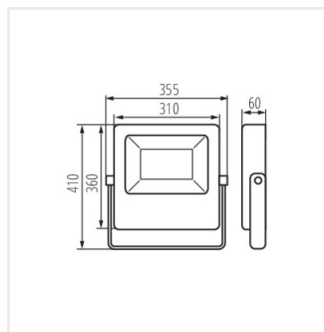
FL AGOR LED 200W NW



FL AGOR/A LED 100W NW



FL AGOR/A LED 150W NW



FL AGOR/A LED 200W NW