

## CIRCO N

Захранващо устройство CV



[V] 220-240 AC	[Hz] 50	CV	PRI [V] 220-240	F	IP 20	House icon
□	Wavy line icon	[mm <sup>2</sup> ] 0,5	°C 5-25	Recycling icon	CE	EAC
UK CA	Down arrow icon					



CIRCO N LED 12VDC 10W

SEC [V] 

CIRCO N LED 12VDC 10W	<b>24242</b>	12 DC	0-10
CIRCO N LED 12VDC 15W	<b>24243</b>	12 DC	0-15



CIRCO N LED 12VDC 10W

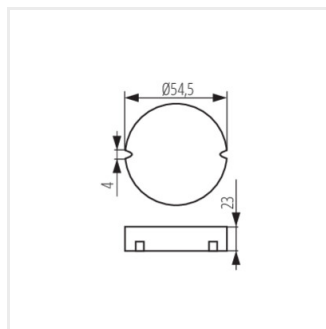


CIRCO N LED 12VDC 15W

## CIRCO N

---

Захранващо устройство CV



CIRCO N LED 12VDC