

Kanlux



Kanlux LTL LED

- 5-годишна Гаранция при спазване на гаранционните условия, достъпни в уебсайта



**Switch
Power**

| | | | | | | |
|--------------------------|-------------------|------------------|--------------|------------------------------|--------------|------------|
| [V] 220-240 AC | [Hz] 50 | ≥ 30000 | 50000 | ellipse $\leq 6x$ MacAdam | Ra 90 | SMD |
| | | IP 20 | | $5+25$ | | $0,5m$ |
| CE | EAC | UK CA | | | | |



LTL 38W-114-CCT-W



| | | $[W]$ | $[lm]$ | $T_c [K]$ | θ | |
|-----------------------|--------------|--------|------------------------|--------------------|----------|-------|
| LTL 38W-114-CCT-W | 38390 | max 38 | max 5000 / 5245 / 5325 | 3000 / 3500 / 4000 | 90 | бял |
| LTL 38W-114-CCT-B | 38391 | max 38 | max 5000 / 5245 / 5325 | 3000 / 3500 / 4000 | 90 | черен |
| LTL 38W-114-CCT-ADJ-W | 38392 | max 38 | max 5000 / 5245 / 5325 | 3000 / 3500 / 4000 | 90 | бял |
| LTL 38W-114-CCT-ADJ-B | 38393 | max 38 | max 5000 / 5245 / 5325 | 3000 / 3500 / 4000 | 90 | черен |



LTL 38W-114-CCT-W



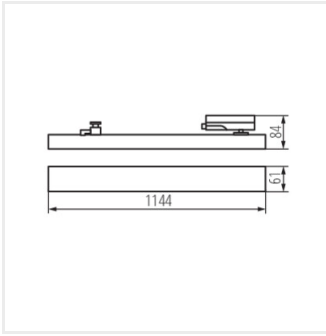
LTL 38W-114-CCT-B



LTL 38W-114-CCT-ADJ-W



LTL 38W-114-CCT-ADJ-B

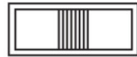


LTL 38W-114-CCT

POWER SELECTION



CCT SELECTION



4000K - 3500K - 3000K

Акcesoари

38395

LTL LENS SET AS 35X35

Soczewka do oprawy LTL, asymetryczna kąt 35 stopni x 35 stopni, w zestawie 4szt, LTL LENS SET AS 35X35D (38395)



38394

LTL LENS SET S 60D

Soczewka do oprawy LTL z kątem świecenia 60 stopni, w zestawie 4 szt, LTL LENS SET S 60D (38394)



| I _{out} [mA] | POWER SELECTION | | | | T _c | [W] | [lm] |
|--------------------------|-----------------|----|----|----|--------------------|------|------|
| | 1 | 2 | 3 | 4 | | | |
| 300 | - | - | - | - | 3000k | 11,3 | 1505 |
| | - | - | - | - | 3500k | 10,9 | 1565 |
| | - | - | - | - | 4000k | 11,2 | 1590 |
| 350 | - | - | - | ON | 3000k | 13,1 | 1765 |
| | - | - | - | ON | 3500k | 12,7 | 1850 |
| | - | - | - | ON | 4000k | 13,1 | 1880 |
| 400 | - | - | ON | - | 3000k | 14,9 | 2015 |
| | - | - | ON | - | 3500k | 14,3 | 2115 |
| | - | - | ON | - | 4000k | 14,8 | 2150 |
| 450 | - | - | ON | ON | 3000k | 16,7 | 2275 |
| | - | - | ON | ON | 3500k | 16,2 | 2405 |
| | - | - | ON | ON | 4000k | 16,7 | 2425 |
| 500 | - | ON | - | - | 3000k | 18,6 | 2525 |
| | - | ON | - | - | 3500k | 17,9 | 2660 |
| | - | ON | - | - | 4000k | 18,5 | 2695 |
| 550 | - | ON | - | ON | 3000k | 20,5 | 2780 |
| | - | ON | - | ON | 3500k | 19,8 | 2915 |
| | - | ON | - | ON | 4000k | 20,4 | 2965 |
| 600 | - | ON | ON | - | 3000k | 22,1 | 3005 |
| | - | ON | ON | - | 3500k | 21,3 | 3165 |
| | - | ON | ON | - | 4000k | 22,1 | 3200 |
| 650 | - | ON | ON | ON | 3000k | 24 | 3240 |
| | - | ON | ON | ON | 3500k | 23,1 | 3405 |
| | - | ON | ON | ON | 4000k | 23,9 | 3450 |
| 700 | ON | - | - | - | 3000k | 26,1 | 3775 |
| | ON | - | - | - | 3500k | 25,2 | 3720 |
| | ON | - | - | - | 4000k | 26,1 | 3775 |
| 750 | ON | - | - | ON | 3000k | 27,9 | 3770 |
| | ON | - | - | ON | 3500k | 27 | 4045 |
| | ON | - | - | ON | 4000k | 27,9 | 4010 |
| 800 | ON | - | ON | - | 3000k | 29,6 | 3980 |
| | ON | - | ON | - | 3500k | 28,5 | 4160 |
| | ON | - | ON | - | 4000k | 29,5 | 4230 |
| 850 | ON | - | ON | ON | 3000k | 31,4 | 4190 |
| | ON | - | ON | ON | 3500k | 30,3 | 4400 |
| | ON | - | ON | ON | 4000k | 31,3 | 4470 |
| 900 | ON | ON | - | - | 3000k | 33 | 4390 |
| | ON | ON | - | - | 3500k | 31,9 | 4610 |
| | ON | ON | - | - | 4000k | 33 | 4680 |
| 950 | ON | ON | - | ON | 3000k | 34,9 | 4610 |
| | ON | ON | - | ON | 3500k | 33,6 | 4830 |
| | ON | ON | - | ON | 4000k | 34,8 | 4905 |
| 1000 | ON | ON | ON | - | 3000k | 36,4 | 4795 |
| | ON | ON | ON | - | 3500k | 35,1 | 5030 |
| | ON | ON | ON | - | 4000k | 36,3 | 5105 |
| 1050 | ON | ON | ON | ON | 3000k | 38 | 5000 |
| | ON | ON | ON | ON | 3500k | 37 | 5245 |
| | ON | ON | ON | ON | 4000k | 38 | 5325 |

Date of issue: 16.10.2024, 11:09

Запазва се правото за въвеждане на технически промени. Данните, съдържащи се в този материал, не са правно обвързващи.

Фотометрия: резултати, получени по време на изпитване на дадения екземпляр.

