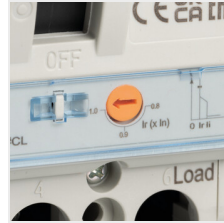


KMCCB

Kompaktní jistič KMCCB



KMCCB-RT-125A

		Ue	Ics	Icu	In [A]
KMCCB-RT-125A	37281	380/415 220/230	18kA (380/415V AC) 25kA (220/230V AC)	25kA (380/415V AC) 36kA (220/230V AC)	125
KMCCB-RT-160A	37282	380/415 220/230	27kA (380/415V AC) 36kA (220/230V AC)	36kA (380/415V AC) 50kA (220/230V AC)	160
KMCCB-RT-200A	37283	380/415 220/230	27kA (380/415V AC) 36kA (220/230V AC)	36kA (380/415V AC) 50kA (220/230V AC)	200
KMCCB-RT-250A	37284	380/415 220/230	27kA (380/415V AC) 36kA (220/230V AC)	36kA (380/415V AC) 50kA (220/230V AC)	250
KMCCB-RT-400A	38255	380/400/415	50kA	65kA	400
KMCCB-RT-400A-H	38256	380/400/415	75kA	100kA	400
KMCCB-RT-400A-4P	38257	380/400/415	50kA	65kA	400
KMCCB-RT-400A-4P-H	38258	380/400/415	75kA	100kA	400
KMCCB-RT-125A-4P	38516	380/415 220/230	18kA (380/415V AC) 25kA (220/230V AC)	25kA (380/415V AC) 36kA (220/230V AC)	125
KMCCB-RT-160A-4P	38517	380/415 220/230	25kA (380/415V AC) 36kA (220/230V AC)	36kA (380/415V AC) 50kA (220/230V AC)	160
KMCCB-RT-200A-4P	38518	380/415 220/230	25kA (380/415V AC) 36kA (220/230V AC)	36kA (380/415V AC) 50kA (220/230V AC)	200
KMCCB-RT-250A-4P	38519	380/415 220/230	25kA (380/415V AC) 36kA (220/230V AC)	36kA (380/415V AC) 50kA (220/230V AC)	250

KMCCB

Kompaktní jistič KMCCB

5 let záruky shodně s podmínkami záručního prohlášení dostupného na [internetové stránce](#)



KMCCB-RT-125A



KMCCB-RT-160A



KMCCB-RT-200A



KMCCB-RT-250A



KMCCB-RT-400A



KMCCB-RT-400A-H



KMCCB-RT-400A-4P



KMCCB-RT-400A-4P-H



KMCCB-RT-125A-4P



KMCCB-RT-160A-4P



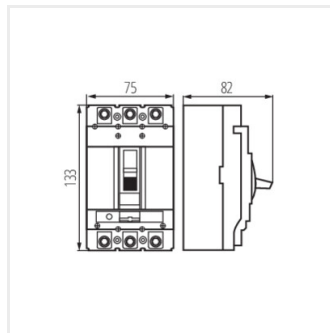
KMCCB-RT-200A-4P



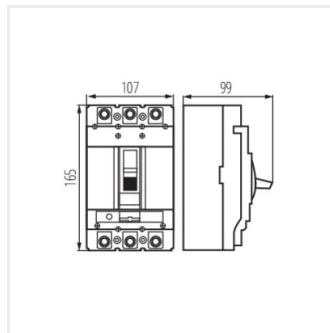
KMCCB-RT-250A-4P

KMCCB

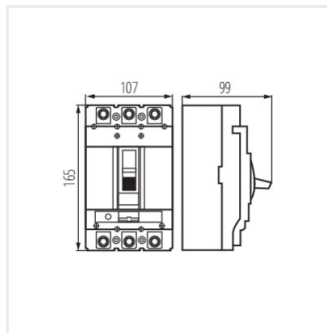
Kompaktní jistič KMCCB



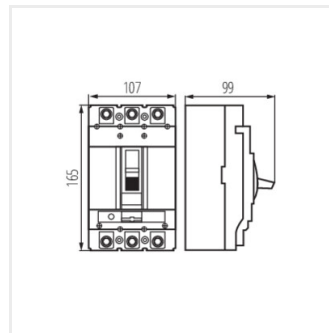
KMCCB-RT-125A



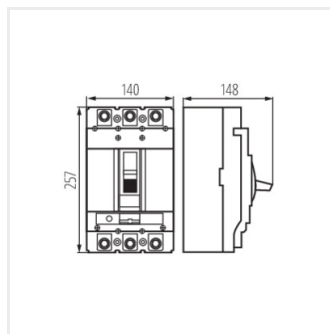
KMCCB-RT-160A



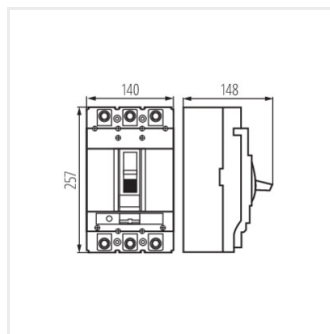
KMCCB-RT-200A



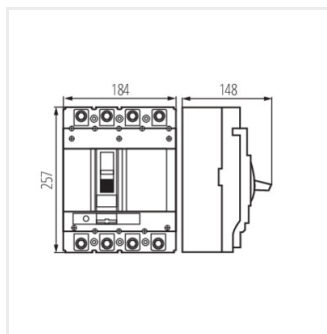
KMCCB-RT-250A



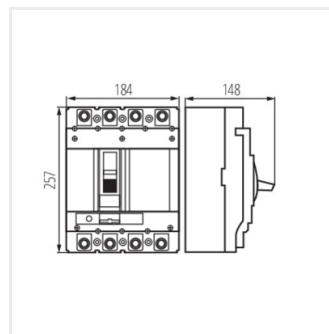
KMCCB-RT-400A



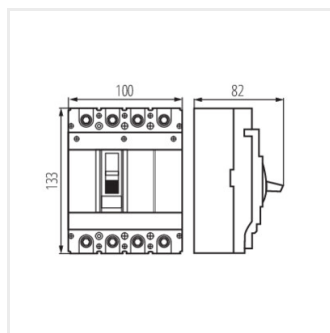
KMCCB-RT-400A-H



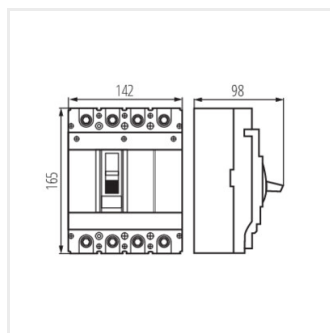
KMCCB-RT-400A-4P



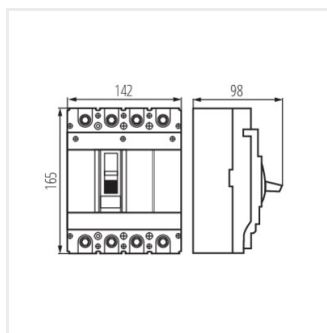
KMCCB-RT-400A-4P-H



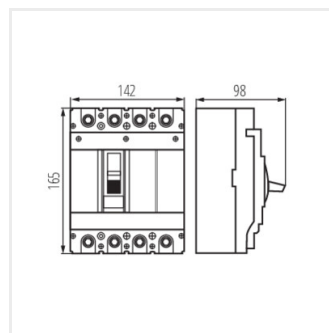
KMCCB-RT-125A-4P



KMCCB-RT-160A-4P



KMCCB-RT-200A-4P



KMCCB-RT-250A-4P