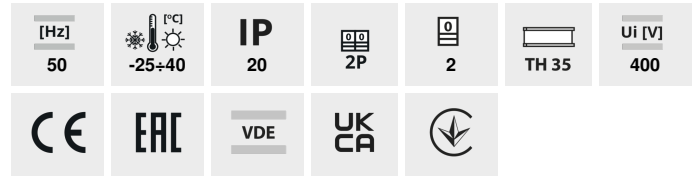


## KRD6-2

Residual-current circuit breaker, 2P



KRD6-2/25/30



	[V]	In [A]	I <sub>Δn</sub> [mA]	Residual-current protection type	
--	-----	--------	----------------------	----------------------------------	--

KRD6-2/25/30	<b>23180</b>	230 AC	25	30	AC	2
KRD6-2/40/30	<b>23181</b>	230 AC	40	30	AC	2
KRD6-2/63/30	<b>23182</b>	230 AC	63	30	AC	2
KRD6-2/16/10	<b>23186</b>	230 AC	16	10	AC	2
KRD6-2/25/30-A	<b>23188</b>	230 AC	25	30	A	2
KRD6-2/40/30-A	<b>23189</b>	230 AC	40	30	A	2
KRD6-2/16/10-A	<b>23194</b>	230 AC	16	10	A	2
KRD6-2/25/300	<b>23195</b>	230 AC	25	300	AC	2

Residual current circuit breaker: is used for additional protection against electric shock, designed for work in sinusoidal alternating current circuits (AC type) and sinusoidal alternating and pulsating current with DC component (A type).

## KRD6-2

Residual-current circuit breaker, 2P



KRD6-2/25/30



KRD6-2/40/30



KRD6-2/63/30



KRD6-2/16/10



KRD6-2/25/30-A



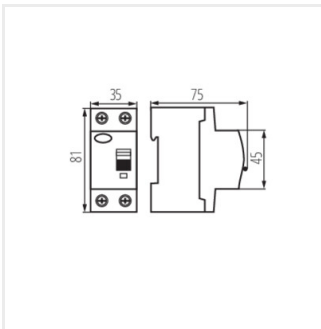
KRD6-2/40/30-A



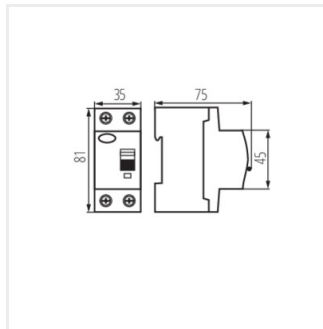
KRD6-2/16/10-A



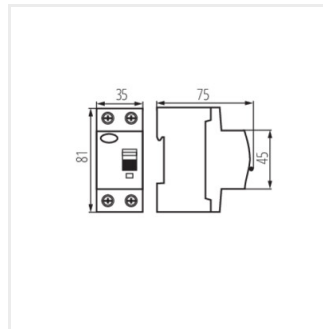
KRD6-2/25/300



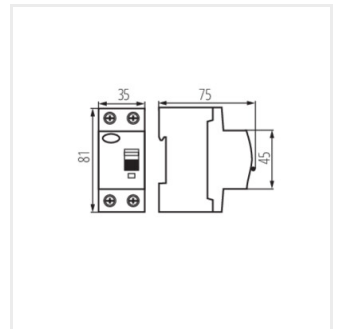
KRD6-2/25/30



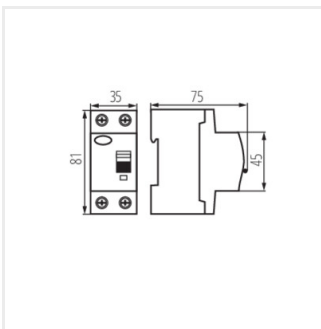
KRD6-2/40/30



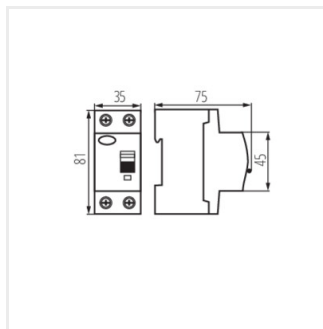
KRD6-2/63/30



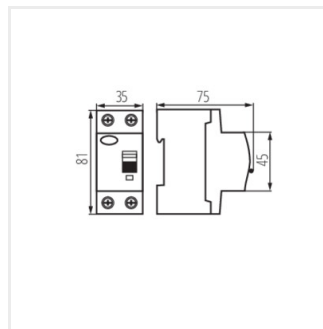
KRD6-2/16/10



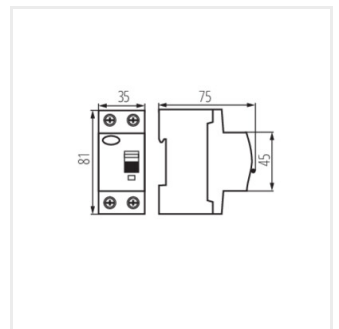
KRD6-2/25/30-A



KRD6-2/40/30-A



KRD6-2/16/10-A



KRD6-2/25/300