

KRO6

Residual-current circuit breaker with overcurrent module, 6kA, 2P



KRO6-2/B16/30

[V] 230 AC	[Hz] 50	[mm²] 10÷16	[°C] -25÷40	IP 20	2	2P
2	TH 35	U_i [V] 400	CE	EAC	UK CA	

In [A] **I_{Δn} [mA]** Residual-current protection type

	In [A]	I_{Δn} [mA]	Residual-current protection type
KRO6-2/B16/30	23210	B 16 30	AC
KRO6-2/B25/30	23211	B 25 30	AC
KRO6-2/B16/30-A	23212	B 16 30	A
KRO6-2/B10/30	23213	B 10 30	AC
KRO6-2/B10/30-A	23214	B 10 30	A
KRO6-2/C10/30	23215	C 10 30	AC
KRO6-2/C10/30-A	23216	C 10 30	A
KRO6-2/C16/30	23217	C 16 30	AC
KRO6-2/C16/30-A	23218	C 16 30	A
KRO6-2/B20/30	23219	B 20 30	AC
KRO6-2/B6/30	23220	B 6 30	AC
KRO6-2/C25/30	23221	C 25 30	AC
KRO6-2/C32/30	23222	C 32 30	AC
KRO6-2/C25/30-A	23223	C 25 30	A
KRO6-2/C32/30-A	23224	C 32 30	A
KRO6-2/B20/30-A	23262	B 20 30	A
KRO6-2/C20/30	23263	C 20 30	AC
KRO6-2/C20/30-A	23264	C 20 30	A

KRO6

Residual-current circuit breaker with overcurrent module, 6kA, 2P

Residual current device with overcurrent protection is used to protect against overloads and short circuits in installations and devices, as well as to protect against electric shock.



KRO6-2/B16/30



KRO6-2/B25/30



KRO6-2/B16/30-A



KRO6-2/B10/30



KRO6-2/B10/30-A



KRO6-2/C10/30



KRO6-2/C10/30-A



KRO6-2/C16/30



KRO6-2/C16/30-A



KRO6-2/B20/30



KRO6-2/B6/30



KRO6-2/C25/30

KRO6

Residual-current circuit breaker with overcurrent module, 6kA, 2P



KRO6-2/C32/30



KRO6-2/C25/30-A



KRO6-2/C32/30-A



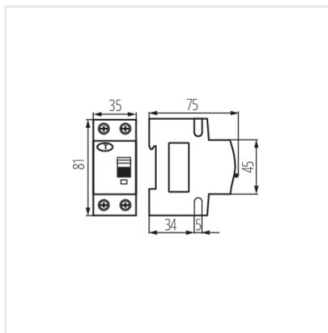
KRO6-2/B20/30-A



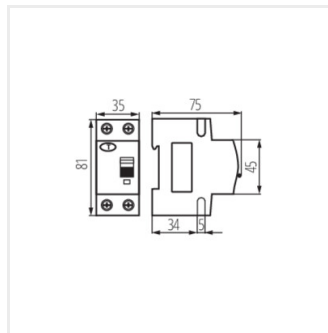
KRO6-2/C20/30



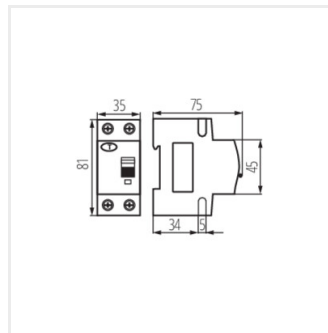
KRO6-2/C20/30-A



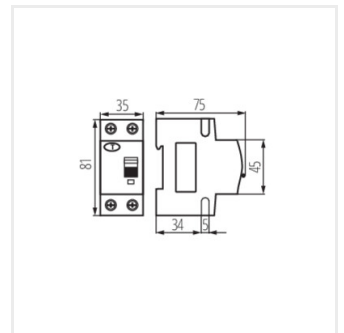
KRO6-2/B16/30



KRO6-2/B25/30



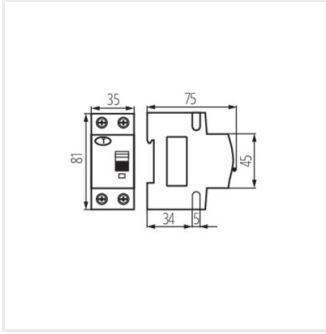
KRO6-2/B16/30-A



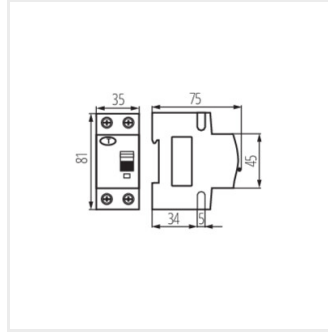
KRO6-2/B10/30

KRO6

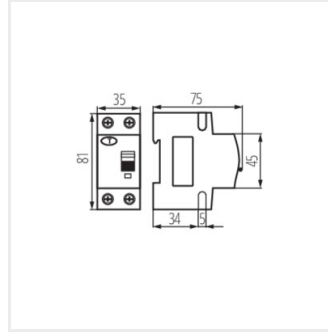
Residual-current circuit breaker with overcurrent module, 6kA, 2P



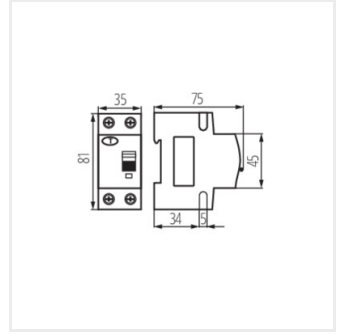
KRO6-2/B10/30-A



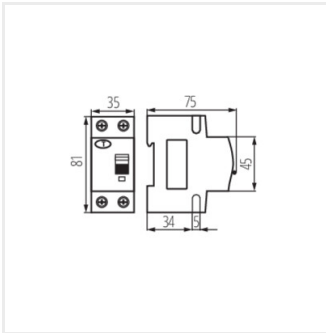
KRO6-2/C10/30



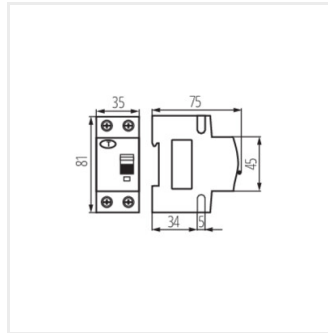
KRO6-2/C10/30-A



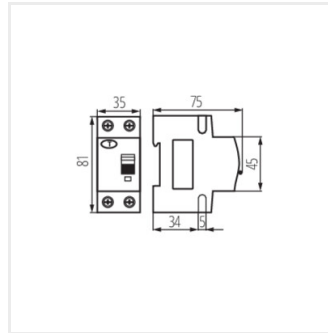
KRO6-2/C16/30



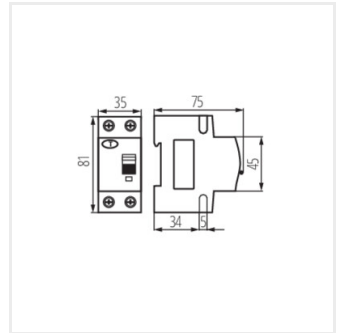
KRO6-2/C16/30-A



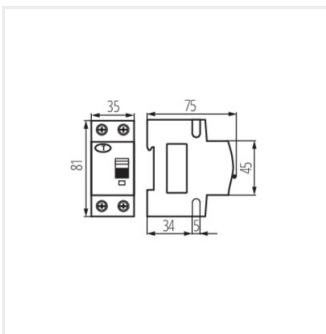
KRO6-2/B20/30



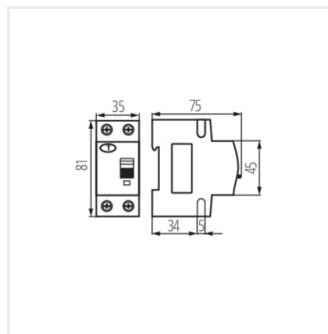
KRO6-2/B6/30



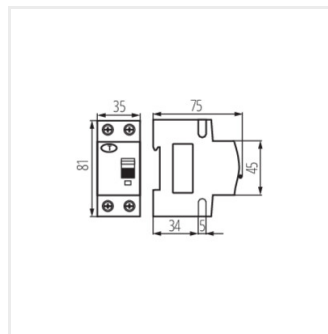
KRO6-2/C25/30



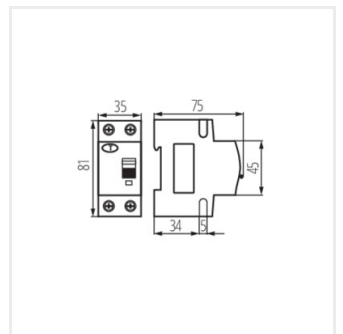
KRO6-2/C32/30



KRO6-2/C25/30-A



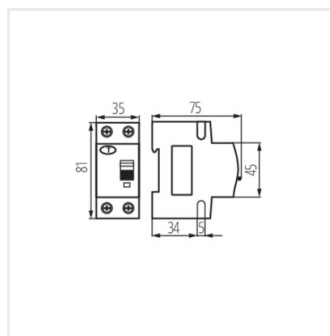
KRO6-2/C32/30-A



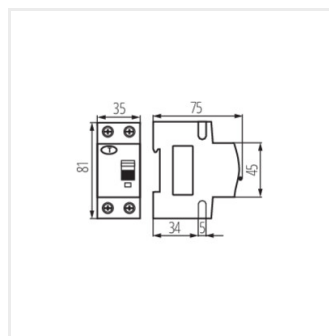
KRO6-2/B20/30-A

KRO6

Residual-current circuit breaker with overcurrent module, 6kA, 2P



KRO6-2/C20/30



KRO6-2/C20/30-A