

Kanlux



Kanlux ALER JQ

Kanlux ALER JQ is a motion detector whose maximum detection range comes to 12 metres. You can set adjustments of the lighting time and light intensity level at which the detector works.

| | | | | | | |
|-------------------|------------|----------|-----|----------|------------|------------|
| [V] 220-240 AC | [Hz] 50 | IP 44 | | | 3-2000 | -20÷40 |
| | 1=2.5 | CE | EAC | UK CA | | |



ALER JQ-30-W

| | | [VA] | | [°] | [s]-[min] | SENSOR | [m] |
|----------------|--------------|------|--------------|----------|-----------|--------|--------|
| ALER JQ-30-W | 00460 | 1200 | wall mounted | H160/V20 | 8-7 | PIR | max 12 |
| ALER JQ-30-B | 00461 | 1200 | wall mounted | H160/V20 | 8-7 | PIR | max 12 |
| ALER JQ-30-B/B | 23458 | 1200 | wall mounted | H160/V20 | 8-8 | PIR | max 10 |



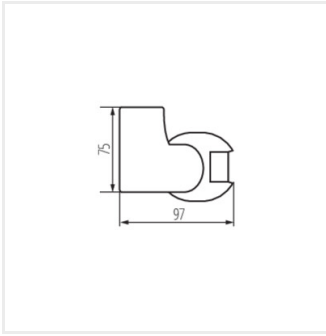
ALER JQ-30-W



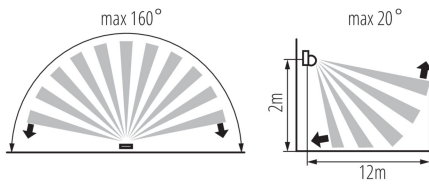
ALER JQ-30-B



ALER JQ-30-B/B



ALER JQ-30



Date of issue: 04.02.2025, 13:55

We reserve the right to make technical changes. The data contained in this material are not legally binding.

Photometry: the results obtained from testing were from a specific sample.

Kanlux S.A. ul. Objazdowa 1-3, 41-922 Radzionków, Poland kanlux@kanlux.com