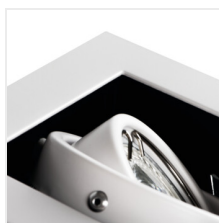


MERIL

Ceiling-mounted spotlight fitting



[V] 220-240 AC	GU10			IP 20		[°C] 5÷25
	[mm] ² 1÷2.5	0,5m		PAR16		



MERIL DLP-50-W



MERIL DLP-50-W	26480	max 10	white	in two axes	30/30
MERIL DLP-250-W	26481	2 x max 10	white	in two axes	30/30

Kanlux MERIL are holders of downlight type with a replaceable source of light. The holders are available in one-spot beam and two-spot beam version and their significant feature is a possibility of free adjustment of the angle.

- Enclosure material: steel

MERIL

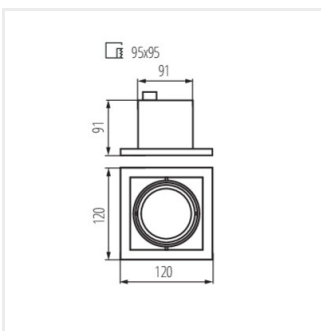
Ceiling-mounted spotlight fitting



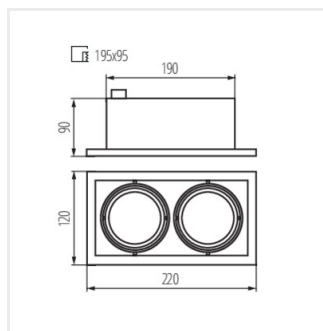
MERIL DLP-50-W



MERIL DLP-50-W



MERIL DLP-50



MERIL DLP-250