

NESTA

Ring for spotlight fittings



NESTA DSL-W



NESTA DSL-W	26745	max 35	matte white	none	
NESTA DSL-B	26746	max 35	black matt	none	
NESTA DSL-C	26747	max 35	chrome	none	
NESTA DSL-C/M	26748	max 35	chrome matte	none	
NESTA DTL-W	26749	max 35	matte white	in one axis	30
NESTA DTL-B	26750	max 35	black matt	in one axis	30
NESTA DTL-C	26751	max 35	chrome	in one axis	30
NESTA DTL-C/M	26752	max 35	chrome matte	in one axis	30

The Kanlux NESTA eyes are available in a version with a movable ring, allowing to direct light into a given side and with an immovable ring. The holders intended for building in a ceiling work well as additional lighting both at homes, in coffee shops and in restaurants, in places where you want to emphasize an interesting arrangement of a room. These holders combined in a group can also successfully perform the function of main light.

- Enclosure material: aluminum alloy

NESTA

Ring for spotlight fittings



NESTA DSL-W



NESTA DSL-B



NESTA DSL-C



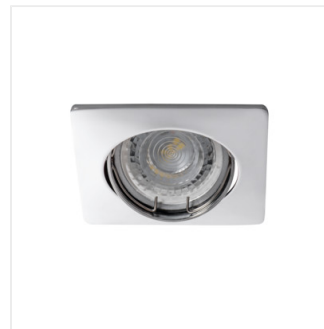
NESTA DSL-C/M



NESTA DTL-W



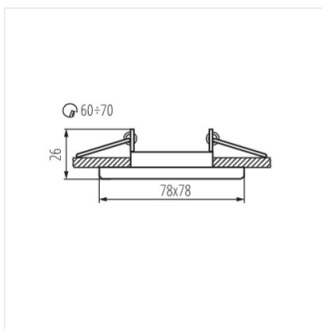
NESTA DTL-B



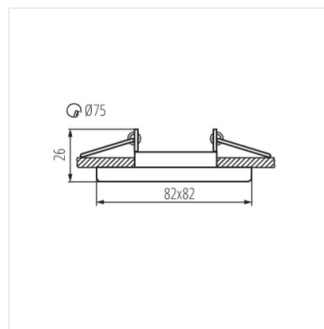
NESTA DTL-C



NESTA DTL-C/M



NESTA DSL



NESTA DTL