

Kanlux



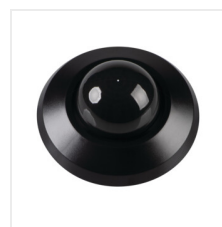
Kanlux SENTO-O

Kanlux SENTO-O is an electronic sensor for movement detection. Its exceptionality lies in the fact that as many as three infrared detectors are installed in one sensor. This guarantees an unprecedented sensitivity and allows you to capture even the slightest movement. Kanlux SENTO, due to its unique features, is referred to as presence sensors. The additional advantage is universal installation - flush-mounted and surface-mounted.



SENTO-O-WT-B/B

[V] 220-240 AC	[Hz] 50	IP 44/20			 3-2000	 -20÷40
	 0.75÷1.5	 Ø60-70	CE	EAC	UK CA	



SENTO-O-WT-B/B	26822	2000	ceiling mounted, Recessed mount in the ceiling	H360	10-30	3xPIR	max 17
SENTO-O-WT-W	37366	2000	ceiling mounted, Recessed mount in the ceiling	H360	10-30	3xPIR	max 20
SENTO-O-WT-B	37367	2000	ceiling mounted, Recessed mount in the ceiling	H360	10-30	3xPIR	max 20



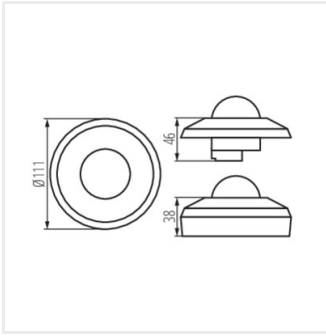
SENTO-O-WT-B/B



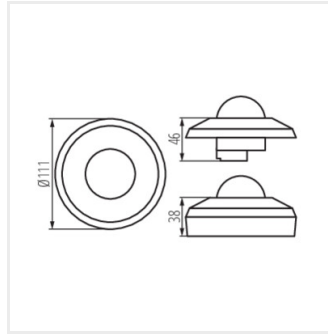
SENTO-O-WT-W



SENTO-O-WT-B



SENTO-O-WT-B/B



SENTO-O-WT

Date of issue: 04.02.2025, 10:52

We reserve the right to make technical changes. The data contained in this material are not legally binding.

Photometry: the results obtained from testing were from a specific sample.

Kanlux S.A. ul. Objazdowa 1-3, 41-922 Radzionków, Poland kanlux@kanlux.com