

Kanlux

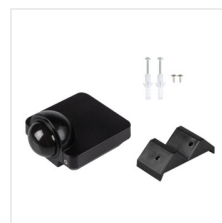


Kanlux SENSQUARE

SENSQUARE sensors are designed for wall mounting and use infrared technology. The combination of a unique design, a wide detection range, and an IP54 rating allows for the adaptation of the sensor to many applications. An additional advantage of the sensor is the included accessory that allows for mounting the sensor on both internal and external corners. Available in black and white.



[V] 220-240 AC	[Hz] 50	IP 54			 3-2000	 -20+40
 0.75÷1.5	CE	EAC	UK CA			



SENSQUARE-B/B



SENSQUARE-B/B	26823	1200	wall mounted	H360	10-15	PIR	max 6,5
SENSQUARE-W	37368	1200	wall mounted	H360	10-15	PIR	max 8
SENSQUARE-B	37369	1200	wall mounted	H360	10-15	PIR	max 8



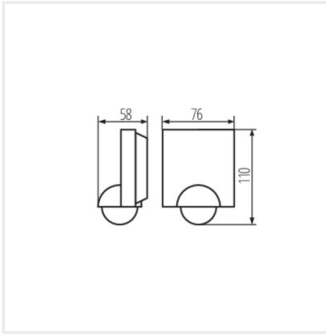
SENSQUARE-B/B



SENSQUARE-W



SENSQUARE-B



SENSQUARE

Date of issue: 04.02.2025, 10:45

We reserve the right to make technical changes. The data contained in this material are not legally binding.

Photometry: the results obtained from testing were from a specific sample.

Kanlux S.A. ul. Objazdowa 1-3, 41-922 Radzionków, Poland kanlux@kanlux.com