

## KMB6

Overcurrent circuit breaker, 1P



[Hz] 50	 C	1P	1	IP 20	 1÷25	 5÷40
TH 35	Ui [V] 500	CE	EAC	VDE	UK CA	



KMB6-C16/1

	[V]		In [A]
KMB6-C16/1	<b>23143</b>	230/400 AC	1 16
KMB6-C10/1	<b>23145</b>	230/400 AC	1 10
KMB6-C20/1	<b>23146</b>	230/400 AC	1 20
KMB6-C25/1	<b>23151</b>	230/400 AC	1 25
KMB6-C6/1	<b>23157</b>	230/400 AC	1 6
KMB6-C32/1	<b>23160</b>	230/400 AC	1 32
KMB6-C4/1	<b>23161</b>	230/400 AC	1 4
KMB6-C40/1	<b>23173</b>	230/400 AC	1 40
KMB6-C50/1	<b>27252</b>	230/400 AC	1 50
KMB6-C63/1	<b>27253</b>	230/400 AC	1 63
KMB6-C13/1	<b>32559</b>	230/400 AC	1 13

Circuit breaker with overcurrent protection is used to protect cables against overloads and short circuits in installations and devices.

## KMB6

Overcurrent circuit breaker, 1P



KMB6-C16/1



KMB6-C10/1



KMB6-C20/1



KMB6-C25/1



KMB6-C6/1



KMB6-C32/1



KMB6-C4/1



KMB6-C40/1



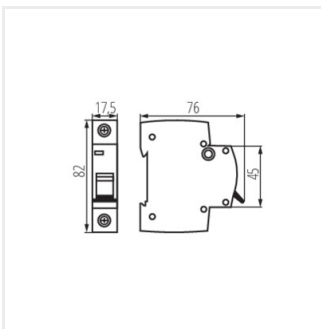
KMB6-C50/1



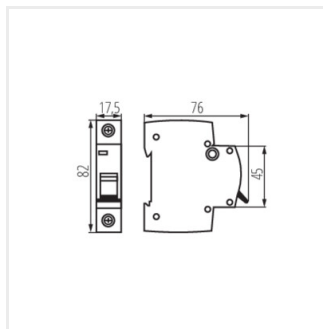
KMB6-C63/1



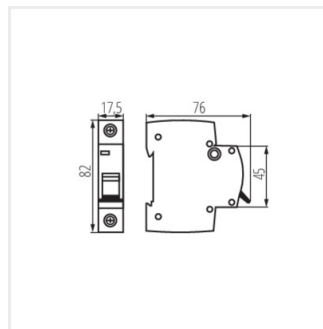
KMB6-C13/1



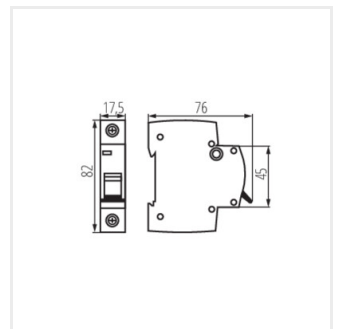
KMB6-C16/1



KMB6-C10/1



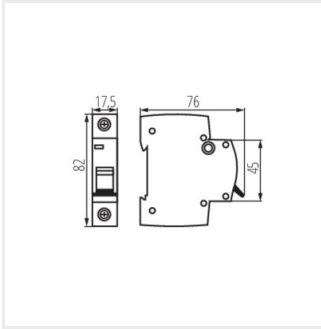
KMB6-C20/1



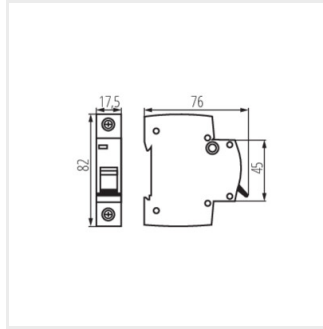
KMB6-C25/1

## KMB6

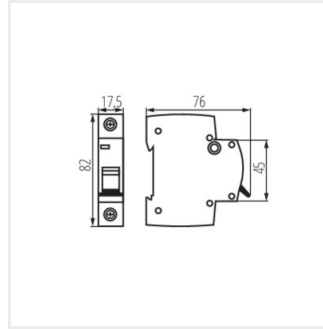
Overcurrent circuit breaker, 1P



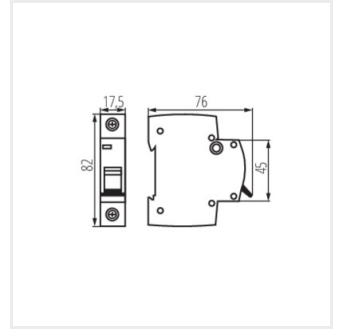
KMB6-C6/1



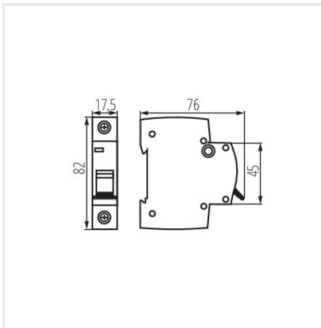
KMB6-C32/1



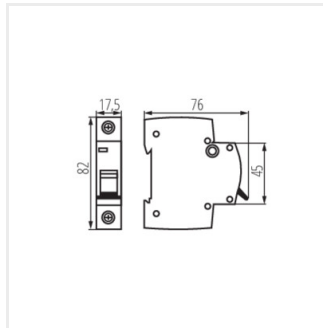
KMB6-C4/1



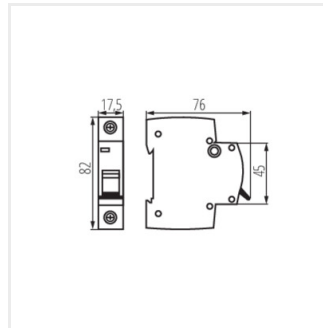
KMB6-C40/1



KMB6-C50/1



KMB6-C63/1



KMB6-C13/1