

LED dustproof lighting fitting



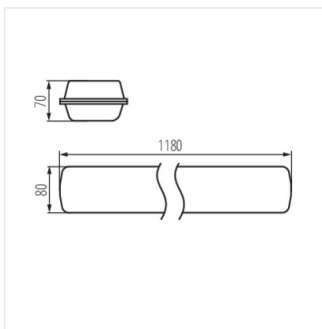
[V] 220-240 AC	[Hz] 50	≥ 30000	50000	ellipse $\leq 3\%$ MacAdam	Ra 80	SMD
		IP 65			IK 08	
1.5+2.5	0,5m	CE	EAC	UK CA		



26	4000	grooved	X115/Y105	3900	150	1180	-25÷35
-----------	-------------	----------------	------------------	-------------	------------	-------------	---------------

FT1200 26W-840-RYF	28687	26	4000	grooved	X115/Y105	3900	150	1180	-25÷35
--------------------	--------------	----	------	---------	-----------	------	-----	------	--------

- 5 years Warranty under the terms of the warranty statement, available on our website
- Enclosure material: PC
- Lampshade material: PC



FT1200 26W-840-RYF