

## STATO LED

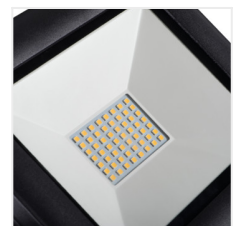
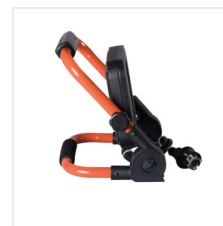
### LED floodlight

**IP  
65**

**LED**  
technology



<b>[V]</b> 220-240 AC	<b>[Hz]</b> 50	 120° Φ <sub>use</sub>	 120	 ≥15000	 25000	 ellipse ≤ 6x Mackdam
 Ra 80	 SMD	 IK 07	 ⊥	<b>IP</b> 65	 -20÷35	
 ↓	 330	 IK 07	 2	 1	 1m	
 Hg	<b>CE</b>	<b>EAC</b>	<b>UK CA</b>			



	 P <sub>ON</sub> [W]	 [lm]	 [lm] Φ <sub>use</sub>	 T <sub>c</sub> [K]	 black	 Ei [A] G	
STATO N LED 30W-B	<b>29222</b>	30	3150	2770	4000	black	F
STATO N LED 50W-B	<b>29223</b>	50	5250	4430	4000	black	F

Kanlux STATO LED is a portable floodlight with high tightness (IP65). Recommended as lighting during renovations or building works. Adjustment of the inclination angle of the floodlight and the stand allows to additionally light up surface in a lot of planes, higher colour rendering index than most floodlights (CRI=80) is a possibility of using inside rooms (during renovations, colours of lighted surface are better visible). In Kanlux STATO LED the set contains a 2-metre cable with a plug.

- Enclosure material: aluminum alloy
- Protective glass material: Tempered glass
- Extension-arm material: steel

## STATO LED

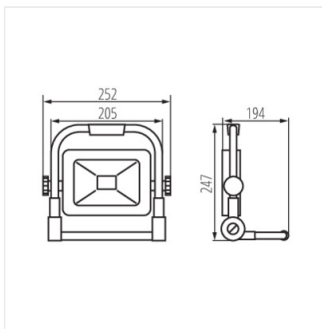
### LED floodlight



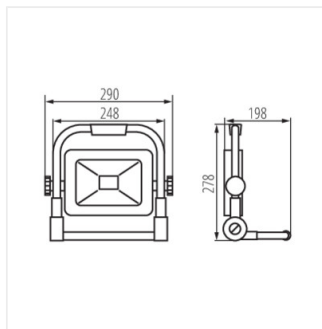
STATO N LED 30W-B



STATO N LED 50W-B



STATO N LED 30W-B



STATO N LED 50W-B