

# Kanlux



## Kanlux STATO HI LED

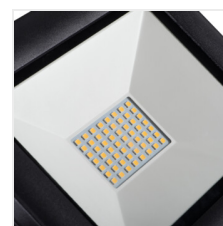
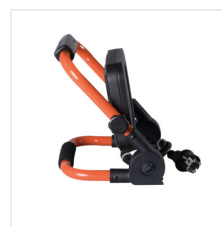
Kanlux STATO HI LED is a portable floodlight with high tightness (IP65). Recommended as lighting during renovations or construction works. Adjusting the angle of the floodlight and the stand allows you to illuminate surfaces in many planes, and a higher color rendering index than in most floodlights (CRI = 80) means better visibility of the color of the illuminated surface, which is especially useful in interiors. The Kanlux STATO HI LED model also has higher luminous efficiency - 120lm / W. The set includes a 2-meter cable with a plug.

- Protective glass material: Tempered glass
- Extension-arm material: steel

**IP**  
**65**

**HI**  
**GH**  
efficacy

<b>[V]</b> 220-240 AC	<b>[Hz]</b> 50	$\Phi_{use}$ 120°	$[\theta]$ 120	$\geq 15000$	$25000$ (h)	ellipse $\leq 6x$ MacAdam
$R_a$ 80	SMD			<b>IP</b> 65	$[-20 \div 35]$ (°C)	
$\downarrow$	$[\theta]$ 330	<b>IK</b> 07		$2$ (m)	$1$ (mm)	$1m$
<del>Hg</del>	<b>CE</b>	<b>EAC</b>	<b>UK</b> <b>CA</b>			



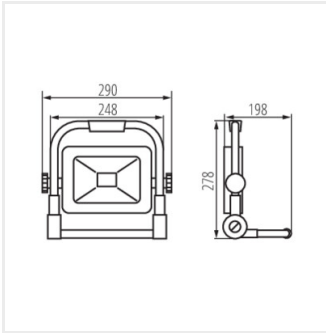
STATO HI LED 50W-B



STATO HI LED 50W-B	<b>29225</b>	50	6000	4000	black
--------------------	--------------	----	------	------	-------



STATO HI LED 50W-B



STATO HI LED 50W-B

Date of issue: 05.12.2024, 09:00

We reserve the right to make technical changes. The data contained in this material are not legally binding.

Photometry: the results obtained from testing were from a specific sample.