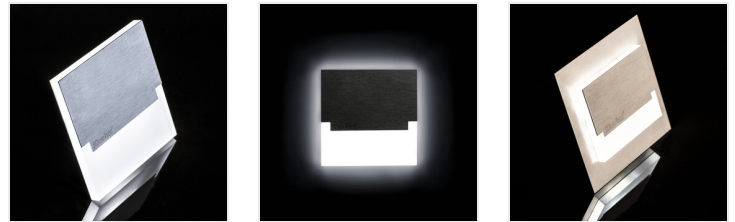


SABIK LED

Staircase LED light fitting



SABIK LED WW

		[V]	[W]		[lm]	Tc [K]
SABIK LED WW	23108	12 DC	0.8	stainless steel	13	3000
SABIK MINI LED WW	23109	12 DC	0.8	stainless steel	13	3000
SABIK LED CW	23110	12 DC	0.8	stainless steel	15	6500
SABIK MINI LED CW	23111	12 DC	0.8	stainless steel	15	6500
SABIK LED AC-WW	23802	220-240 AC	1.3	stainless steel	13	3000
SABIK LED PIR WW	27374	12 DC	0.8	stainless steel	13	3000
SABIK LED B-NW	29852	12 DC	0.8	black	14	4000
SABIK LED B-WW	29853	12 DC	0.8	black	13	3000
SABIK MINI LED B-NW	29854	12 DC	0.8	black	14	4000
SABIK MINI LED B-WW	29855	12 DC	0.8	black	13	3000
SABIK LED PIR B-NW	29858	12 DC	0.8	black	14	4000
SABIK LED PIR B-WW	29859	12 DC	0.8	black	13	3000
SABIK MINI LED NW	32490	12 DC	0.8	stainless steel	14	4000

Kanlux SABIK means modern design combined with an attractive effect of lighting. It is a perfect idea to highlight stairs and corridors or to emphasize decor of rooms. The unique structure of the holders ensures even emission of light. The AC version is equipped with 230V power supply unit which fits into a box and the PIR version is equipped with a motion sensor. The sensor detects movement / turns lights on regardless of the ambient light intensity.

- Enclosure material: polished stainless steel, plastic

SABIK LED

Staircase LED light fitting



SABIK LED WW



SABIK MINI LED WW



SABIK LED CW



SABIK MINI LED CW



SABIK LED AC-WW



SABIK LED PIR WW



SABIK LED B-NW



SABIK LED B-WW



SABIK MINI LED B-NW



SABIK MINI LED B-WW



SABIK LED PIR B-NW



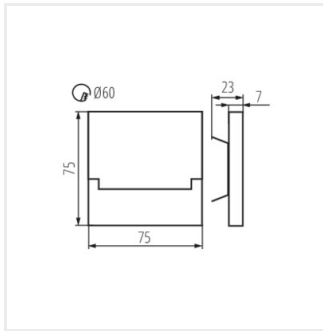
SABIK LED PIR B-WW

SABIK LED

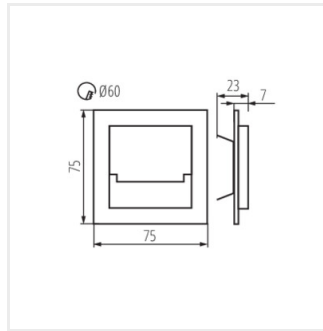
Staircase LED light fitting



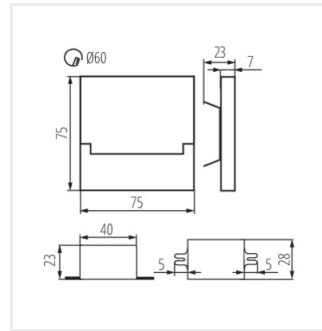
SABIK MINI LED NW



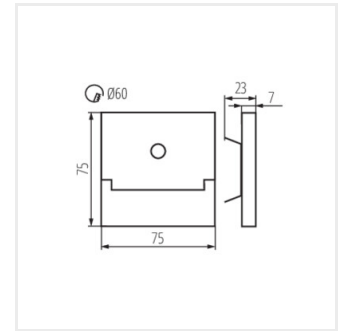
SABIK LED



SABIK MINI LED



SABIK LED AC



SABIK LED PIR