

BAREV ECO

Recessed-mounted LED panel



[V] 220-240 AC	[Hz] 50	lm W 120	 ≥ 10000	 25000 (h)	 ellipse $\leq 6x$ MacAdam	 Ra 80
 SMD			IP 20		 $5 \div 25$ [°C]	
	 0.75 [mm]	 0,5m	CE	EAC	UK CA	



BAREV ECO 36W 6060NW



BAREV ECO 36W 6060NW	31169	36	white	4320	110	4000
----------------------	--------------	----	-------	------	-----	------

- Enclosure material: steel
- Lampshade material: plastic

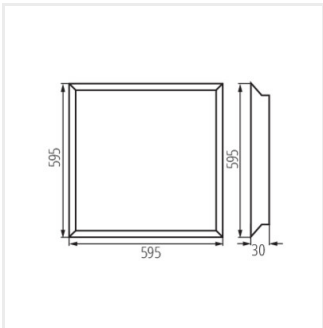


BAREV ECO

Recessed-mounted LED panel



BAREV ECO 36W 6060NW



BAREV ECO 36W 6060NW