

# T8 N LED

## LED light source

up to  
**110**  $\frac{\text{lm}}{\text{W}}$

GLASS  
 tube

IC  
 driver

$[\text{V}]$ 220-240 AC	$[\text{Hz}]$ 50	T8 LED	SMD	$360^\circ$ $\Phi_{\text{use}}$	ellipse $\leq 6x$ Macadam	Ra 80
$\geq 10000$	$[\text{h}]$ 15000	<del>Hg</del>	<del>Pb</del>	ONE SIDE INPUT	$[\text{°C}]$ -10+40	CE
EAC	UK CA	↓				



### T8 N LED 18W-CW

T8 N LED 18W-CW	<b>31190</b>	18	2000	6500	200	G13	E
T8 N LED 18W-NW	<b>31191</b>	18	2000	4000	200	G13	E
T8 N LED 22W-NW	<b>31192</b>	22	2420	4000	200	G13	E
T8 N LED 9W-CW	<b>31193</b>	9	1000	6500	200	G13	E
T8 N LED 9W-NW	<b>31194</b>	9	1000	4000	200	G13	E

- Lampshade material: glass



T8 N LED 18W-CW



T8 N LED 18W-NW



T8 N LED 22W-NW



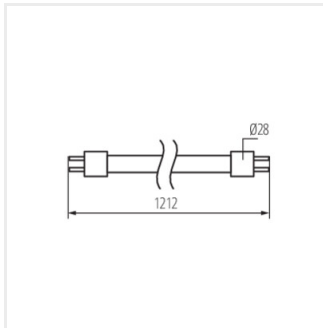
T8 N LED 9W-CW

# T8 N LED

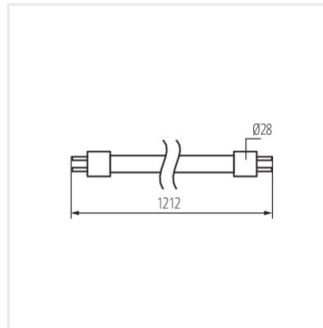
## LED light source



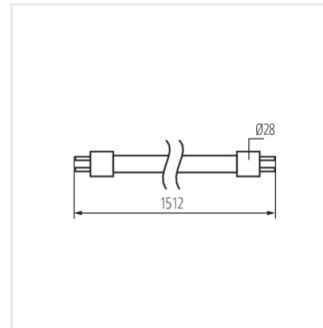
T8 N LED 9W-NW



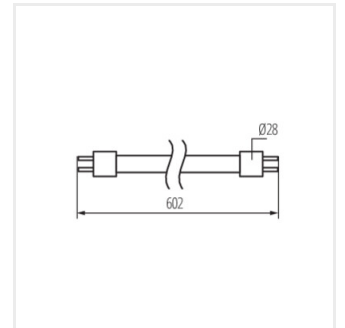
T8 N LED 18W-CW



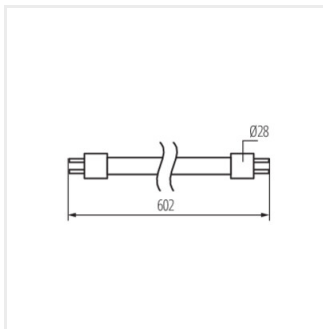
T8 N LED 18W-NW



T8 N LED 22W-NW



T8 N LED 9W-CW



T8 N LED 9W-NW