





KLOSZ MPR AL 23W/33W

		[mm]	[mm]
			
KLOSZ MPR AL 23W/33W	25979	1127	58
KLOSZ MPR AL 11W/17W	27109	567	58
KLOSZ MPR AL-LX	27111	1693	58
ALIN CORD SQ 1F-W	32534	81	81
ALIN CORD SQ 1F-B	32535	81	81
ALIN CORD SQ 1F-SR	32536	81	81
ALIN CORD SQ DA 1F-W	32537	81	81
ALIN CORD SQ DA 1F-B	32538	81	81
ALIN CORD SQ DA 1F-SR	32539	81	81
ALIN CORD 1F-W	32540		
ALIN CORD 1F-B	32541		
ALIN CORD 1F-SR	32542		
ALIN CORD DALI 1F-W	32543		
ALIN CORD DALI 1F-B	32544		
ALIN CORD DALI 1F-SR	32545		



KLOSZ MPR AL 23W/33W



KLOSZ MPR AL 11W/17W



KLOSZ MPR AL-LX



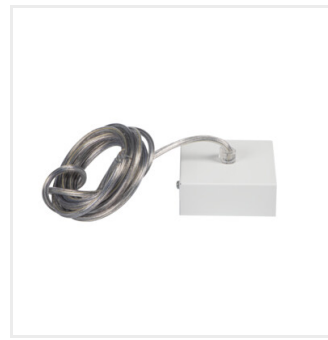
ALIN CORD SQ 1F-W



ALIN CORD SQ 1F-B



ALIN CORD SQ 1F-SR



ALIN CORD SQ DA 1F-W



ALIN CORD SQ DA 1F-B



ALIN CORD SQ DA 1F-SR



ALIN CORD 1F-W



ALIN CORD 1F-B



ALIN CORD 1F-SR



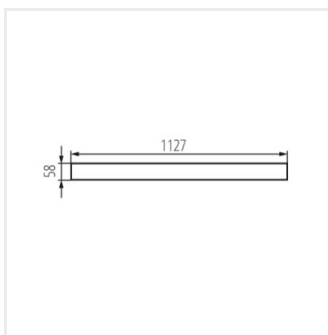
ALIN CORD DALI 1F-W



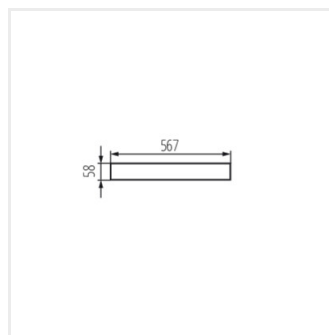
ALIN CORD DALI 1F-B



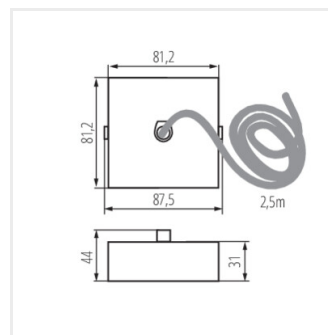
ALIN CORD DALI 1F-SR



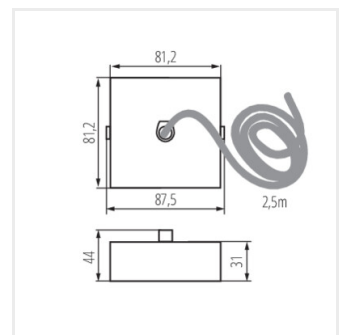
KLOSZ MPR AL 23W/33W



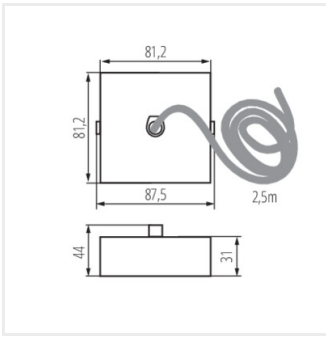
KLOSZ MPR AL 11W/17W



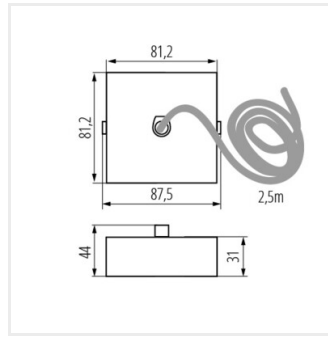
ALIN CORD SQ 1F-W



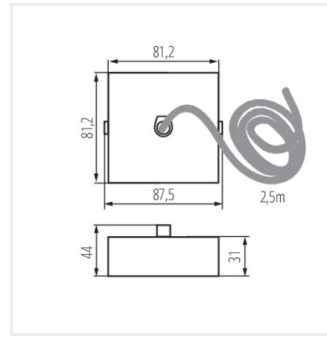
ALIN CORD SQ 1F-B



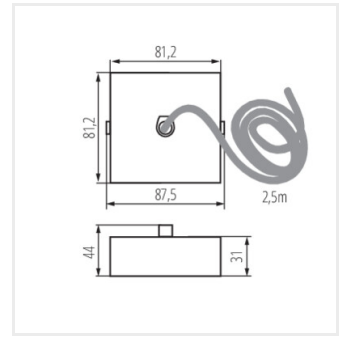
ALIN CORD SQ 1F-SR



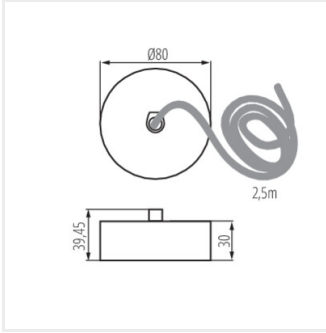
ALIN CORD SQ DA 1F-W



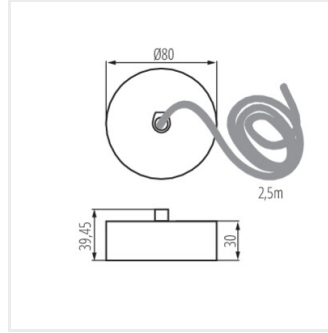
ALIN CORD SQ DA 1F-B



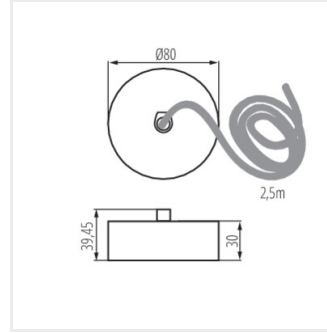
ALIN CORD SQ DA 1F-SR



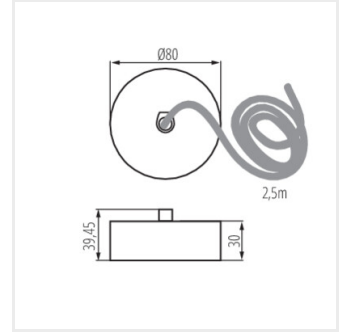
ALIN CORD 1F-W



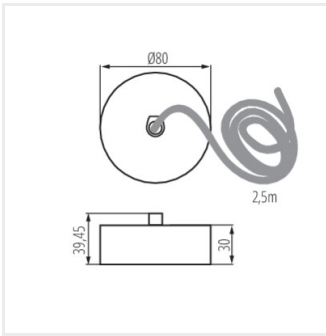
ALIN CORD 1F-B



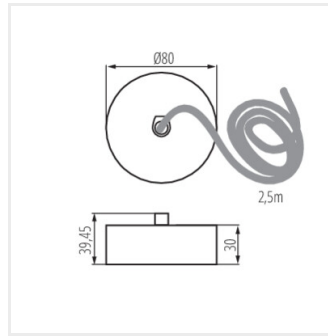
ALIN CORD 1F-SR



ALIN CORD DALI 1F-W



ALIN CORD DALI 1F-B



ALIN CORD DALI 1F-SR

Date of issue: 06.11.2024, 15:25

We reserve the right to make technical changes. The data contained in this material are not legally binding.

Photometry: the results obtained from testing were from a specific sample.