

KMB6

Overcurrent circuit breaker, 1P



[Hz] 50	 C	 1P	 1	IP 20	 1÷25 (mm ²)	 5÷40
 TH 35	 500					



KMB6-C16/1

KMB6-C16/1	23143	230/400 AC	1 16
KMB6-C10/1	23145	230/400 AC	1 10
KMB6-C20/1	23146	230/400 AC	1 20
KMB6-C25/1	23151	230/400 AC	1 25
KMB6-C6/1	23157	230/400 AC	1 6
KMB6-C32/1	23160	230/400 AC	1 32
KMB6-C4/1	23161	230/400 AC	1 4
KMB6-C40/1	23173	230/400 AC	1 40
KMB6-C50/1	27252	230/400 AC	1 50
KMB6-C63/1	27253	230/400 AC	1 63
KMB6-C2/1	32555	230/400 AC	1 2
KMB6-C13/1	32559	230/400 AC	1 13

Circuit breaker with overcurrent protection is used to protect cables against overloads and short circuits in installations and devices.

KMB6

Overcurrent circuit breaker, 1P



KMB6-C16/1



KMB6-C10/1



KMB6-C20/1



KMB6-C25/1



KMB6-C6/1



KMB6-C32/1



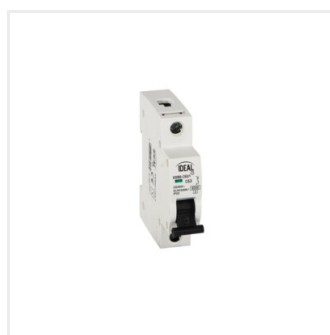
KMB6-C4/1



KMB6-C40/1



KMB6-C50/1



KMB6-C63/1



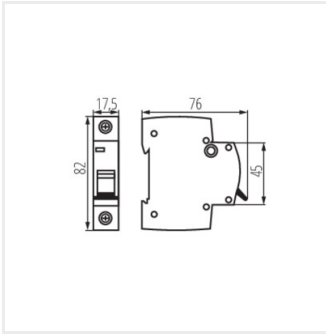
KMB6-C2/1



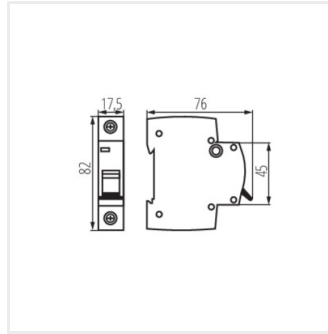
KMB6-C13/1

KMB6

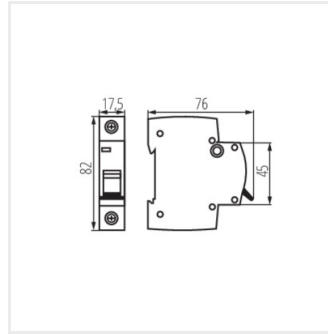
Overcurrent circuit breaker, 1P



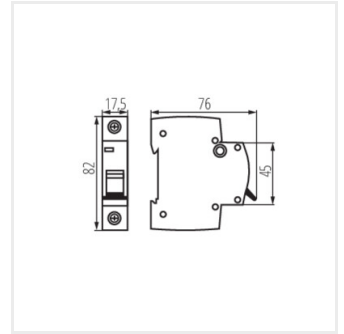
KMB6-C16/1



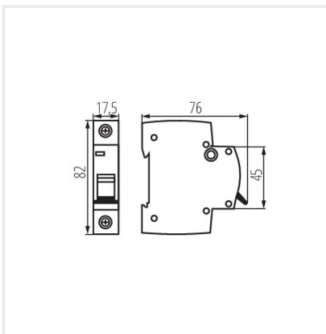
KMB6-C10/1



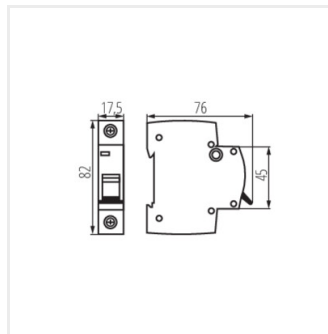
KMB6-C20/1



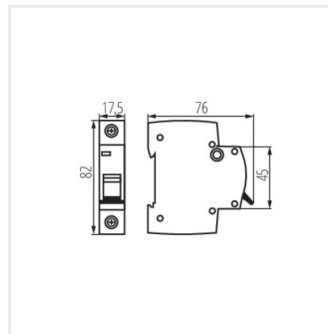
KMB6-C25/1



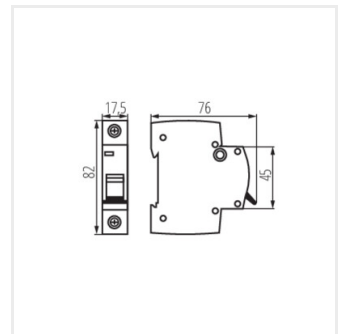
KMB6-C6/1



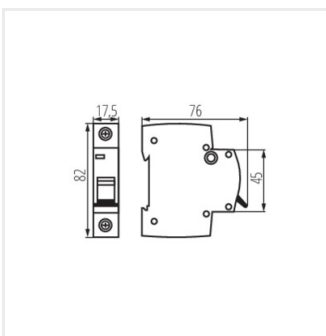
KMB6-C32/1



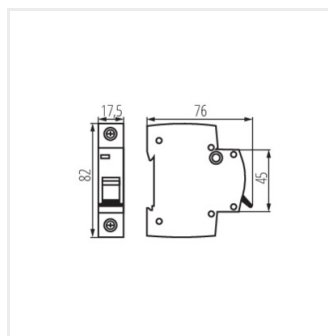
KMB6-C4/1



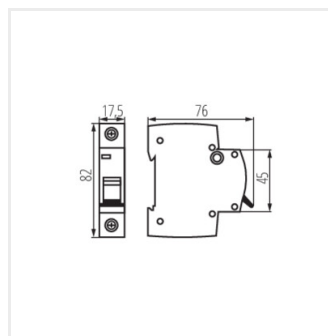
KMB6-C40/1



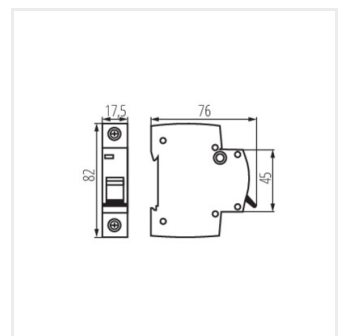
KMB6-C50/1



KMB6-C63/1



KMB6-C2/1



KMB6-C13/1