

KMB6

Miniature circuit breaker, 2P



[Hz] 50	 C	 2P	 2	IP 20	 1÷25	 5÷40
 TH 35	Ui [V] 500	CE	EAC	VDE	UK CA	

KMB6-C16/2

	IV]		In [A]
KMB6-C16/2	23178	230 AC	2 16
KMB6-C6/2	32583	230 AC	2 6
KMB6-C10/2	32584	230 AC	2 10
KMB6-C20/2	32586	230 AC	2 20
KMB6-C25/2	32587	230 AC	2 25
KMB6-C32/2	32588	230 AC	2 32
KMB6-C40/2	32589	230 AC	2 40
KMB6-C50/2	32590	230 AC	2 50
KMB6-C63/2	32591	230 AC	2 63

Circuit breaker with overcurrent protection is used to protect cables against overloads and short circuits in installations and devices.

KMB6

Miniature circuit breaker, 2P



KMB6-C16/2



KMB6-C6/2



KMB6-C10/2



KMB6-C20/2



KMB6-C25/2



KMB6-C32/2



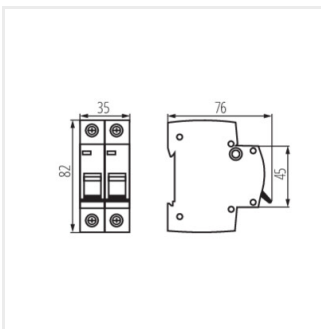
KMB6-C40/2



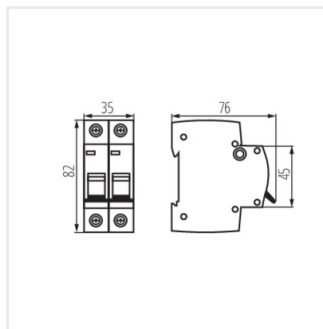
KMB6-C50/2



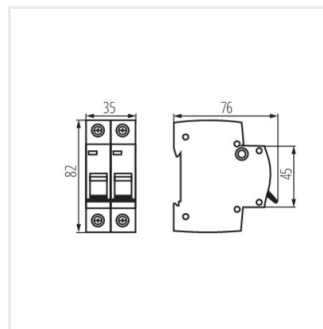
KMB6-C63/2



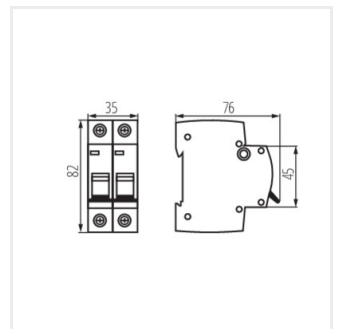
KMB6-C16/2



KMB6-C6/2



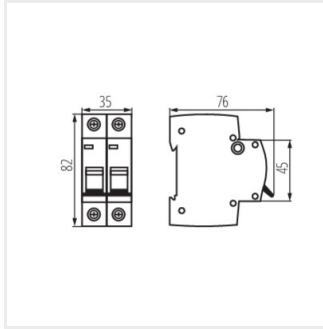
KMB6-C10/2



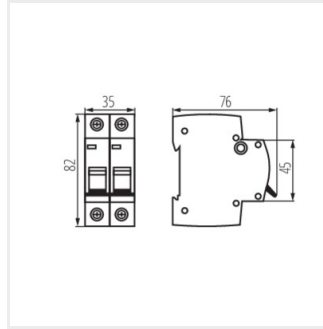
KMB6-C20/2

KMB6

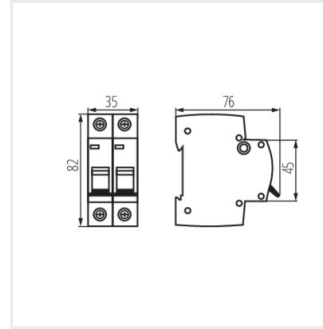
Miniature circuit breaker, 2P



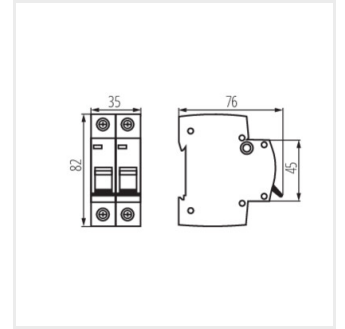
KMB6-C25/2



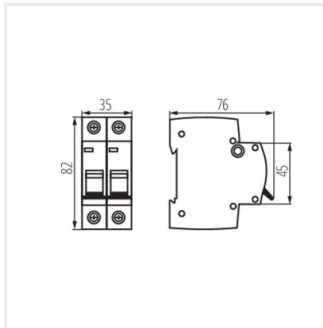
KMB6-C32/2



KMB6-C40/2



KMB6-C50/2



KMB6-C63/2