

KMB6

Overcurrent circuit breaker, 3P



[Hz] 50	 C	 3P	 3	IP 20	 1÷25	 5÷40
 TH 35	 500	CE	EAC	VDE	UK CA	

KMB6-C25/3

	[V]		In [A]
KMB6-C25/3	23148	230/400 AC	3 25
KMB6-C20/3	23150	230/400 AC	3 20
KMB6-C16/3	23154	230/400 AC	3 16
KMB6-C32/3	23155	230/400 AC	3 32
KMB6-C10/3	23163	230/400 AC	3 10
KMB6-C40/3	23165	230/400 AC	3 40
KMB6-C63/3	23166	230/400 AC	3 63
KMB6-C6/3	23167	230/400 AC	3 6
KMB6-C50/3	23169	230/400 AC	3 50
KMB6-C13/3	32585	230/400 AC	3 13

Circuit breaker with overcurrent protection is used to protect cables against overloads and short circuits in installations and devices.

KMB6

Overcurrent circuit breaker, 3P



KMB6-C25/3



KMB6-C20/3



KMB6-C16/3



KMB6-C32/3



KMB6-C10/3



KMB6-C40/3



KMB6-C63/3



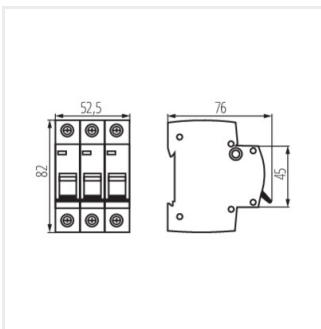
KMB6-C6/3



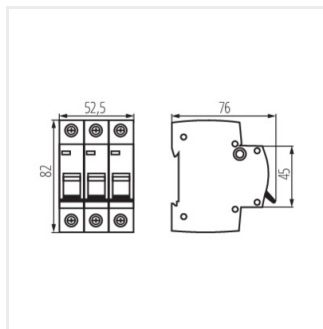
KMB6-C50/3



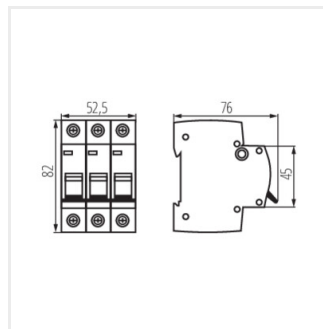
KMB6-C13/3



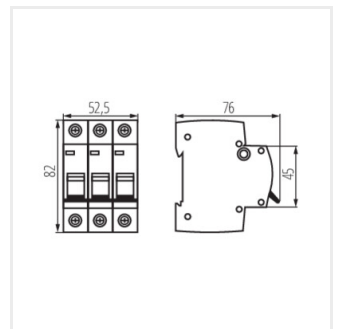
KMB6-C25/3



KMB6-C20/3



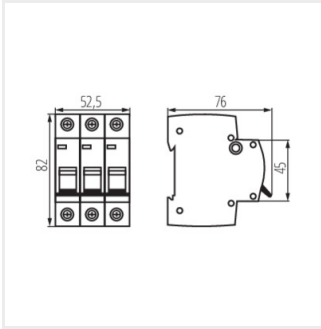
KMB6-C16/3



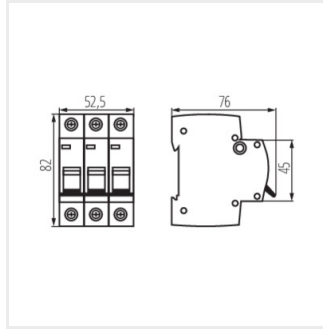
KMB6-C32/3

KMB6

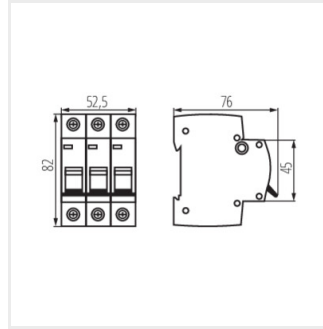
Overcurrent circuit breaker, 3P



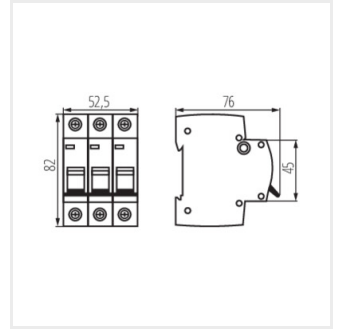
KMB6-C10/3



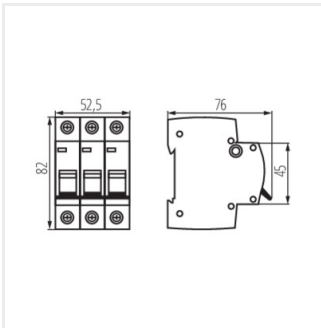
KMB6-C40/3



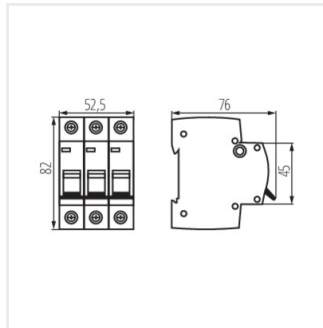
KMB6-C63/3



KMB6-C6/3



KMB6-C50/3



KMB6-C13/3