

KMB6

Miniature circuit breaker, 4P



[Hz] 50	 C	 4P	 4	IP 20	 1÷25	 5÷40
 TH 35	 500					

KMB6-C6/4

	 IV]		 In [A]
KMB6-C6/4	32601	230 AC	4 6
KMB6-C10/4	32602	230 AC	4 10
KMB6-C16/4	32603	230 AC	4 16
KMB6-C20/4	32604	230 AC	4 20
KMB6-C25/4	32605	230 AC	4 25
KMB6-C32/4	32606	230 AC	4 32
KMB6-C40/4	32607	230 AC	4 40
KMB6-C50/4	32608	230 AC	4 50
KMB6-C63/4	32609	230 AC	4 63

Circuit breaker with overcurrent protection is used to protect cables against overloads and short circuits in installations and devices.

KMB6

Miniature circuit breaker, 4P



KMB6-C6/4



KMB6-C10/4



KMB6-C16/4



KMB6-C20/4



KMB6-C25/4



KMB6-C32/4



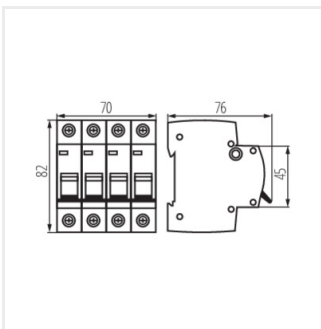
KMB6-C40/4



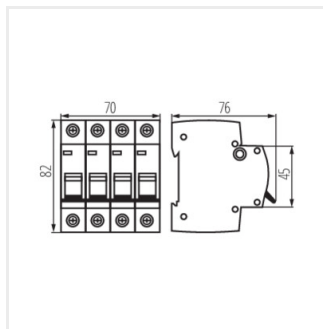
KMB6-C50/4



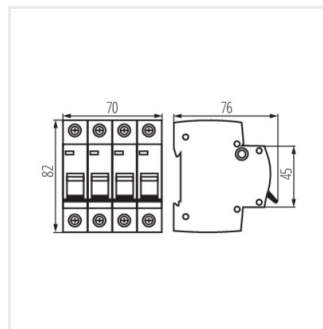
KMB6-C63/4



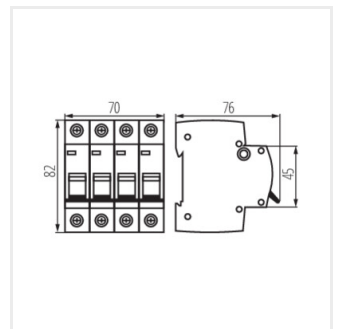
KMB6-C6/4



KMB6-C10/4



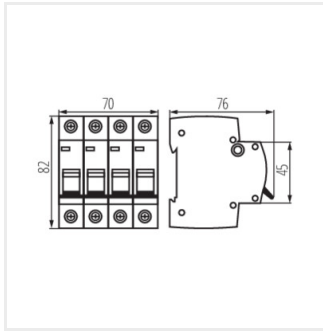
KMB6-C16/4



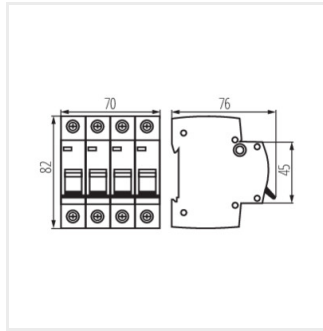
KMB6-C20/4

KMB6

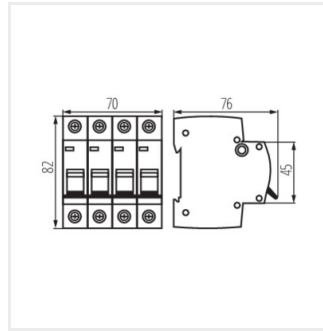
Miniature circuit breaker, 4P



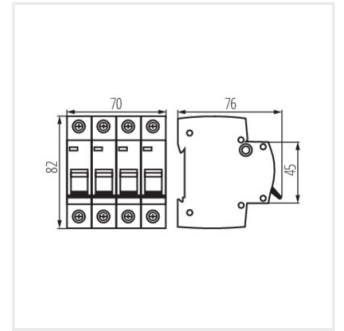
KMB6-C25/4



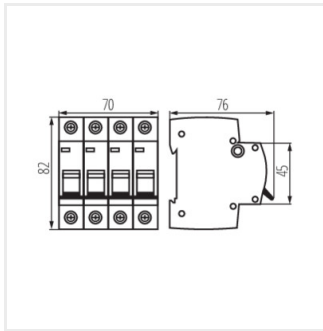
KMB6-C32/4



KMB6-C40/4



KMB6-C50/4



KMB6-C63/4