

Kanlux



Kanlux TP STRONG

Kanlux TP STRONG is a hermetic luminaire for special purposes. The tightness of IP65, mechanical resistance of IK08, and luminous efficacy of 135lm/W are the main advantages of this luminaire. Additionally, it has a light distribution angle of X125°/Y110°. The parameters speak for themselves, but we also give a 5-year warranty.

- 5 years Warranty under the terms of the warranty statement, available on our website
-



IP
65

up to
135 $\frac{\text{lm}}{\text{W}}$



 220-240 AC	 50	 ≥ 30000	 50000	 ellipse $\leq 6x$ MacAdam	 Ra 80	 SMD
		IP 65		 -20÷40		IK 08
	 1,5÷2,5	 0,5m				



TP STRONG 60W 12 NW



TP STRONG 60W 12 NW	33163	60	8000	4000	X125/Y110	white
TP STRONG LED 37W-NW	33168	37	5000	4000	X125/Y110	white
TP STRONG LED 60W-NW	33169	60	8000	4000	X125/Y110	white
TP STRONG LED 48W-NW	33170	48	6500	4000	X125/Y110	white
TP STRONG LED 75W-NW	33171	75	10000	4000	X125/Y110	white
TP STRONG LED 90W-NW	33172	90	12000	4000	X125/Y110	white



TP STRONG 60W 12 NW



TP STRONG LED 37W-NW



TP STRONG LED 60W-NW



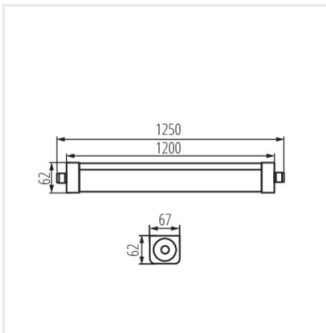
TP STRONG LED 48W-NW



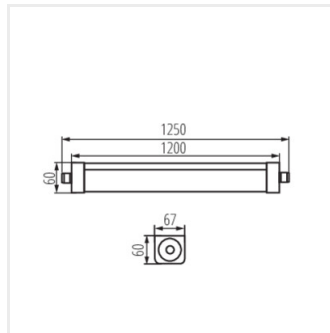
TP STRONG LED 75W-NW



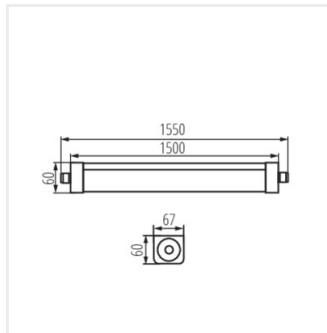
TP STRONG LED 90W-NW



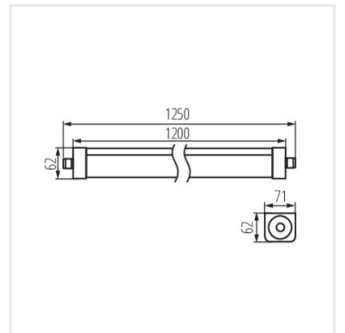
TP STRONG 60W 12 NW



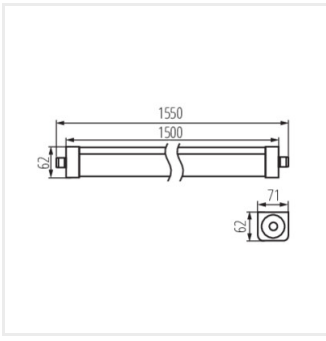
TP STRONG LED 37W



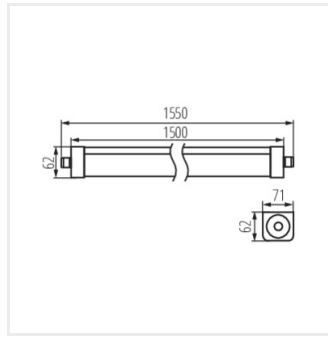
TP STRONG LED 60W



TP STRONG LED 48W



TP STRONG LED 75W



TP STRONG LED 90W

Date of issue: 12.11.2024, 09:44

We reserve the right to make technical changes. The data contained in this material are not legally binding.
Photometry: the results obtained from testing were from a specific sample.

