

TP STRONG

Linear LED luminaire



[V] 220-240 AC	[Hz] 50	≥30000	[h] 50000	Ellipse ≤ 6x MacAdam	Ra 80	SMD
		IP 65	[°C] -20÷40	IK 08		UK CA
	[mm] 1.5÷2.5	0,5m				



TP STRONG LED 37W-NW



	[W]	[lm]	Tc [K]	[°]		
TP STRONG LED 37W-NW	33168	37	5000	4000	X125/Y110	white
TP STRONG LED 60W-NW	33169	60	8000	4000	X125/Y110	white
TP STRONG LED 48W-NW	33170	48	6500	4000	X125/Y110	white
TP STRONG LED 75W-NW	33171	75	10000	4000	X125/Y110	white
TP STRONG LED 90W-NW	33172	90	12000	4000	X125/Y110	white

Kanlux TP STRONG is a hermetic luminaire for special purposes. The tightness of IP65, mechanical resistance of IK08, and luminous efficacy of 135lm/W are the main advantages of this luminaire. Additionally, it has a light distribution angle of X125°/Y110°. The parameters speak for themselves, but we also give a 5-year warranty.

- 5 years Warranty under the terms of the warranty statement, available on our website
- Enclosure material: plastic
- Lampshade material: PC

TP STRONG

Linear LED luminaire



TP STRONG LED 37W-NW



TP STRONG LED 60W-NW



TP STRONG LED 48W-NW



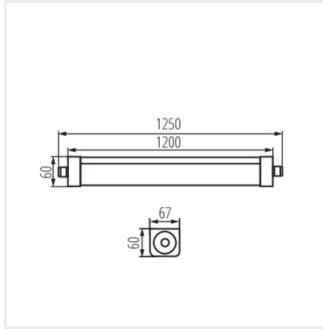
TP STRONG LED 75W-NW



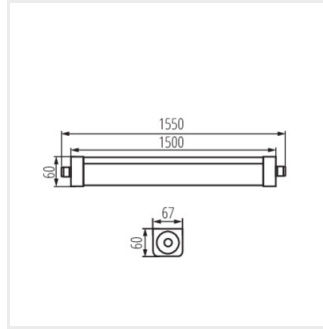
TP STRONG LED 90W-NW

TP STRONG

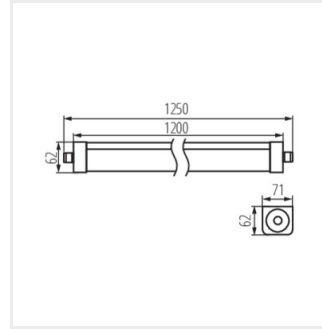
Linear LED luminaire



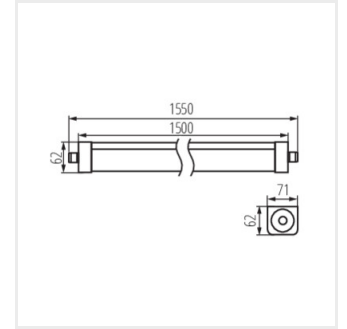
TP STRONG LED 37W



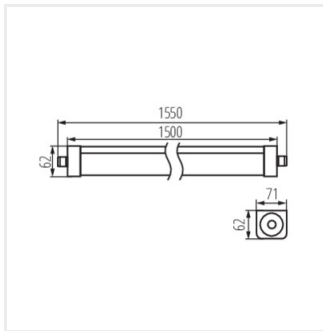
TP STRONG LED 60W



TP STRONG LED 48W



TP STRONG LED 75W



TP STRONG LED 90W