

T8 LED GLASSv4

LED light source



up to
160 lm/W



[V] 220-240 AC	[Hz] 50	T8 LED	SMD	360° Φ _{use}	Ellipse ≤ 6x Nachdam	Ra 80
≥30000	30000 [h]	Hg			ONE SIDE INPUT	°C -10÷40
CE	EAC	UK CA				



T8 LED GLASSv4 9W-NW



	P _{ON} [W]	[lm] Φ _{use}	T _c [K]	[°]	G13	E _i A1 G
T8 LED GLASSv4 9W-NW	33210	9	1440	4000	220	G13 C
T8 LED GLASSv4 9W-CW	33211	9	1440	6500	220	G13 C
T8 LED GLASSv4 18W-NW	33212	18	2880	4000	220	G13 C
T8 LED GLASSv4 18W-CW	33213	18	2880	6500	220	G13 C
T8 LED GLASSv4 22W-NW	33218	22	3520	4000	220	G13 C
T8 LED GLASSv4 22W-CW	33219	22	3520	6500	220	G13 C

Kanlux T8 LED GLASS is a well-known and proven line of fluorescent lamps based on high-performance LED diodes, which are placed in a milky, glass body, thanks to which they evenly emit light. High-quality workmanship and care for the best-class components are the most important features of Kanlux T8 LED GLASSv4. In addition, these unique LED lamps have a 3-year warranty and a luminous efficacy of up to 160 lumens from Watt.

- One-way fluorescent LED-power supply
- 3 years Warranty under the terms of the warranty statement, available on our website
- Lampshade material: glass

T8 LED GLASSv4

LED light source



T8 LED GLASSv4 9W-NW



T8 LED GLASSv4 9W-CW



T8 LED GLASSv4 18W-NW



T8 LED GLASSv4 18W-CW



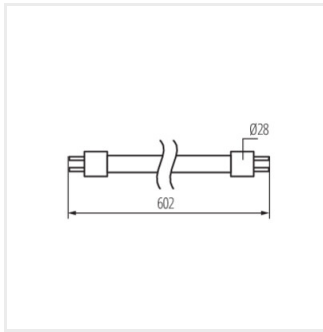
T8 LED GLASSv4 22W-NW



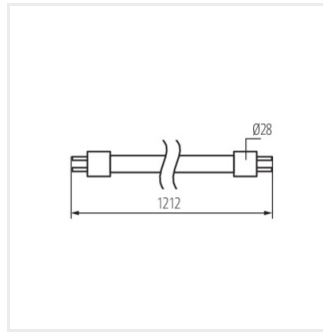
T8 LED GLASSv4 22W-CW

T8 LED GLASSv4

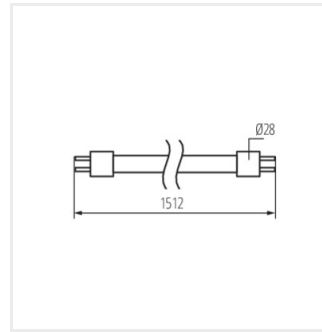
LED light source



T8 LED GLASSv4 9W



T8 LED GLASSv4 18W



T8 LED GLASSv4 22W

Accessories

26069

T8 LED STARTER Replacement LED light switch
(26069)

