

iQ-LED

Kanlux

IQ-LED A60

LED light source



[V] 220-240 AC	[Hz] 50	SMD	360° Φ _{use}	ellipse ≤ 6x MacAdam	Ra 80	≥40000
		CE	EAC	UK CA		



IQ-LED A60 4,2W-NW



	Pon [lm/W]	[W]	[°]	[mm] Φ _{use}	Tc [K]	[h]	[h]	Base	Ei
IQ-LED A60 4.2W-NW	33711	4.2	41	500	4000	220	25000	E27	E
IQ-LED A60 7.2W-WW	33713	7.2	60	806	2700	220	25000	E27	E
IQ-LED A60 7.2W-NW	33714	7.2	60	820	4000	220	25000	E27	E
IQ-LED A60 7.2W-CW	33715	7.2	60	820	6500	220	25000	E27	E
IQ-LED A60 9.6W-WW	33716	9.6	75	1060	2700	220	25000	E27	E
IQ-LED A60 13.5W-WW	33719	13.5	100	1521	2700	220	15000	E27	E
IQ-LED A60 13.5W-NW	33720	13.5	102	1560	4000	220	15000	E27	E

The Kanlux IQ-LED means photobiological safety and eye-friendly colour temperature and reliability, all in the classic A60 design. iQ-LED bulbs provide full comfort of use and safety.

- Material: plastic
- Lampshade material: plastic

Date of issue: 02.02.2024, 17:06

We reserve the right to make technical changes. The data contained in this material are not legally binding.

EN

iQ LED

Kanlux

IQ-LED A60

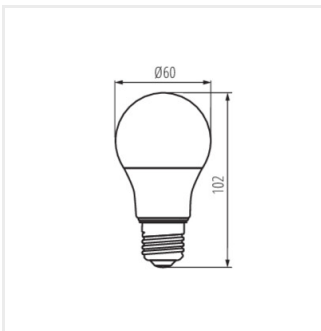
LED light source



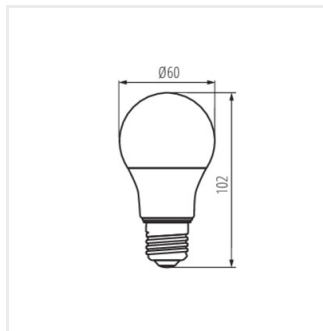
IQ-LED A60 4,2W-NW



IQ-LED A60 7,2W



IQ-LED A60 4,2W



IQ-LED A60 7,2W