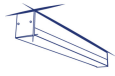


## ALD-SL-NT

Linear LED luminaire



[V] 220-240 AC	[Hz] 50	≥30000	[h] 50000	ellipse ≤3x MacAdam	Ra 80	SMD
DALI		IP 20		[°C] 5÷25		
[mm] 0.5÷2.5		0,5m	CE	EAC	UK CA	



### ALD-SL-NW-MAT-W-NT

	[W]	Tc [K]	[mm]	TYPE	[°]		[mm]	[mm]
ALD-SL-NW-MAT-W-NT	<b>34152</b>	10	4000	matt	X85/Y95	white	1300	580
ALD-SL-WW-MAT-W-NT	<b>34154</b>	10	3000	matt	X85/Y95	white	1150	580
ALD-SL-NW-MPR-W-NT	<b>34156</b>	10	4000	microprismatic	X75/Y90	white	1200	580
ALD-SL-WW-MPR-W-NT	<b>34158</b>	10	3000	microprismatic	X75/Y90	white	1050	580
ALD-SL-NW-MAT-B-NT	<b>34164</b>	10	4000	matt	X85/Y95	black	1300	580
ALD-SL-WW-MAT-B-NT	<b>34166</b>	10	3000	matt	X85/Y95	black	1150	580
ALD-SL-NW-MPR-B-NT	<b>34168</b>	10	4000	microprismatic	X75/Y90	black	1200	580
ALD-SL-WW-MPR-B-NT	<b>34170</b>	10	3000	microprismatic	X75/Y90	black	1050	580
ALD-SL-NW-MAT-S-NT	<b>34176</b>	10	4000	matt	X85/Y95	silver	1300	580
ALD-SL-WW-MAT-S-NT	<b>34178</b>	10	3000	matt	X85/Y95	silver	1150	580
ALD-SL-NW-MPR-S-NT	<b>34180</b>	10	4000	microprismatic	X75/Y90	silver	1200	580
ALD-SL-WW-MPR-S-NT	<b>34182</b>	10	3000	microprismatic	X75/Y90	silver	1050	580

- 5 years Warranty under the terms of the warranty statement, available on our website
- Enclosure material: aluminum alloy
- Lampshade material: plastic

## ALD-SL-NT

Linear LED luminaire



ALD-SL-NW-MAT-W-NT



ALD-SL-WW-MAT-W-NT



ALD-SL-NW-MPR-W-NT



ALD-SL-WW-MPR-W-NT



ALD-SL-NW-MAT-B-NT



ALD-SL-WW-MAT-B-NT



ALD-SL-NW-MPR-B-NT



ALD-SL-WW-MPR-B-NT



ALD-SL-NW-MAT-S-NT



ALD-SL-WW-MAT-S-NT



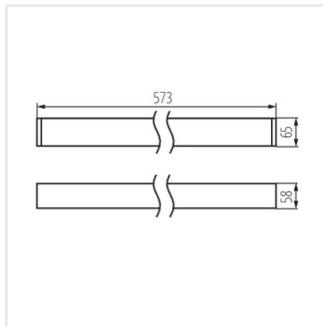
ALD-SL-NW-MPR-S-NT



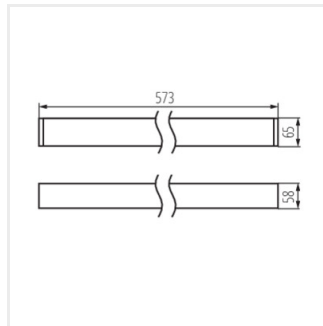
ALD-SL-WW-MPR-S-NT

## ALD-SL-NT

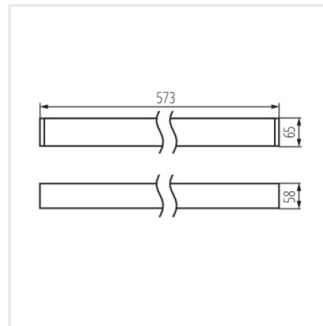
Linear LED luminaire



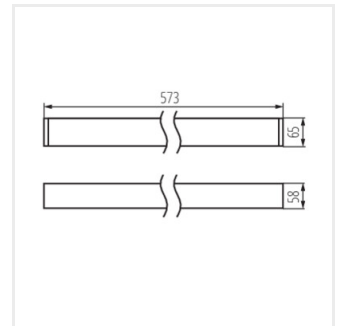
ALD-SL-NW-MAT-W-NT



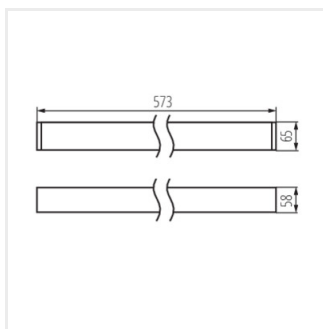
ALD-SL-WW-MAT-W-NT



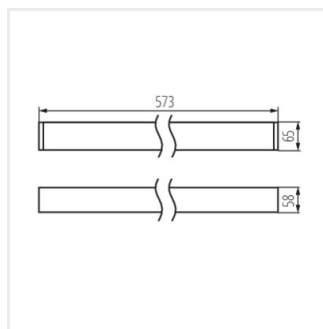
ALD-SL-NW-MPR-W-NT



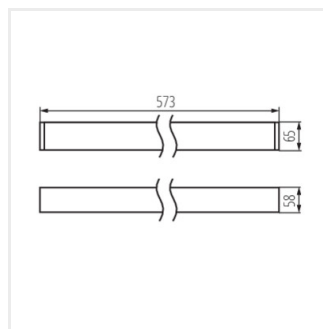
ALD-SL-WW-MPR-W-NT



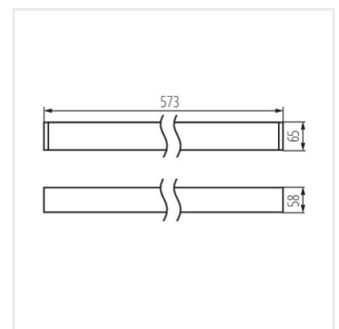
ALD-SL-NW-MAT-B-NT



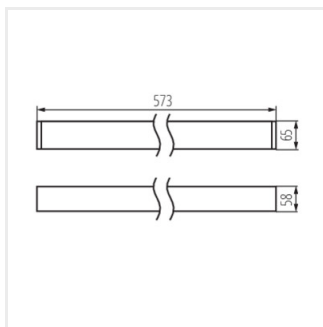
ALD-SL-WW-MAT-B-NT



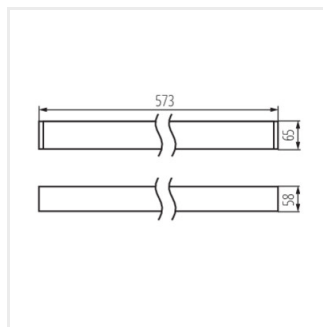
ALD-SL-NW-MPR-B-NT



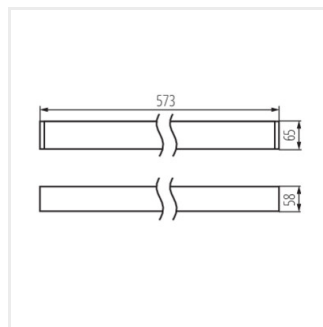
ALD-SL-WW-MPR-B-NT



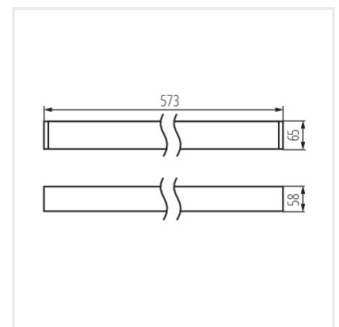
ALD-SL-NW-MAT-S-NT



ALD-SL-WW-MAT-S-NT



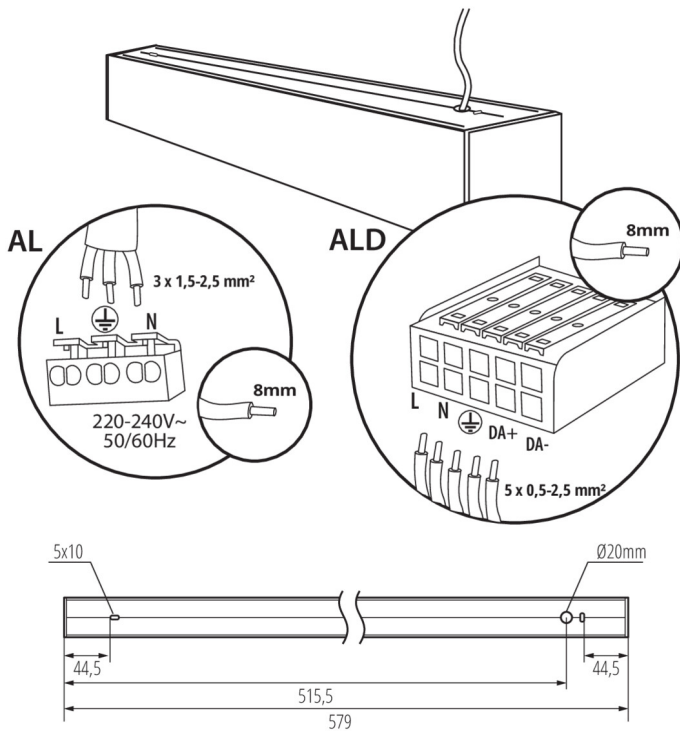
ALD-SL-NW-MPR-S-NT



ALD-SL-WW-MPR-S-NT

## ALD-SL-NT

Linear LED luminaire



### Accessories

<b>32543</b>	ALIN CORD DALI 1F-W	Power supply terminal for ALIN luminaires and tracks, 1-phase, DALI, white, 150 cm
<b>32544</b>	ALIN CORD DALI 1F-B	Power supply terminal for ALIN luminaires and tracks, 1-phase, DALI, black, 150 cm
<b>32545</b>	ALIN CORD DALI 1F-SR	Power supply terminal for ALIN luminaires and tracks, 1-phase, DALI, silver, 150 cm
<b>07871</b>	ROPE-NT 150 SINGLE	ROPE-NT 150 SINGLE steel rope (single) for suspending fittings, 2 pcs. in a set
<b>29557</b>	ALIN NT GRIP	Wall bracket for the ALIN luminaire, 2 pcs included
<b>27109</b>	KLOSZ MPR AL 11W/17W	MPR shade for fitting ALIN, MPR SHADE AL 11W/17W, (27109)