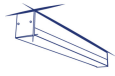


## ALD-ML-NT

Linear LED luminaire



**DALI**  
system

[V] 220-240 AC	[Hz] 50	≥30000	[h] 50000	ellipse ≤3x MacAdam	Ra 80	SMD
DALI		IP 20		[°C] 5÷25		
[mm] 0.5÷2.5		0,5m	CE	EAC	UK CA	



### ALD-ML-NW-MAT-W-NT

	[W]	Tc [K]	TYPE	[°]		[mm]	[mm]
ALD-ML-NW-MAT-W-NT	<b>34224</b>	25	4000	matt	X85/Y95	white	3250 1140
ALD-ML-WW-MAT-W-NT	<b>34226</b>	25	3000	matt	X85/Y95	white	2980 1140
ALD-ML-NW-MPR-W-NT	<b>34228</b>	25	4000	microprismatic	X75/Y90	white	3000 1140
ALD-ML-WW-MPR-W-NT	<b>34230</b>	25	3000	microprismatic	X75/Y90	white	2750 1140
ALD-ML-NW-MAT-B-NT	<b>34236</b>	25	4000	matt	X85/Y95	black	3250 1140
ALD-ML-WW-MAT-B-NT	<b>34238</b>	25	3000	matt	X85/Y95	black	2980 1140
ALD-ML-NW-MPR-B-NT	<b>34240</b>	25	4000	microprismatic	X75/Y90	black	3000 1140
ALD-ML-WW-MPR-B-NT	<b>34242</b>	25	3000	microprismatic	X75/Y90	black	2750 1140
ALD-ML-NW-MAT-S-NT	<b>34248</b>	25	4000	matt	X85/Y95	silver	3250 1140
ALD-ML-WW-MAT-S-NT	<b>34250</b>	25	3000	matt	X85/Y95	silver	2980 1140
ALD-ML-NW-MPR-S-NT	<b>34252</b>	25	4000	microprismatic	X75/Y90	silver	3000 1140
ALD-ML-WW-MPR-S-NT	<b>34254</b>	25	3000	microprismatic	X75/Y90	silver	2750 1140

- 5 years Warranty under the terms of the warranty statement, available on our website
- Enclosure material: aluminum alloy
- Lampshade material: plastic

## ALD-ML-NT

Linear LED luminaire



ALD-ML-NW-MAT-W-NT



ALD-ML-WW-MAT-W-NT



ALD-ML-NW-MPR-W-NT



ALD-ML-WW-MPR-W-NT



ALD-ML-NW-MAT-B-NT



ALD-ML-WW-MAT-B-NT



ALD-ML-NW-MPR-B-NT



ALD-ML-WW-MPR-B-NT



ALD-ML-NW-MAT-S-NT



ALD-ML-WW-MAT-S-NT



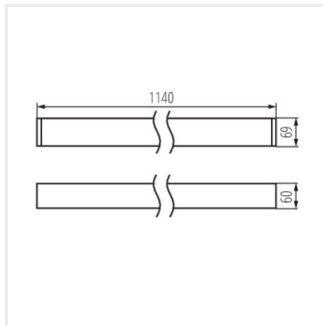
ALD-ML-NW-MPR-S-NT



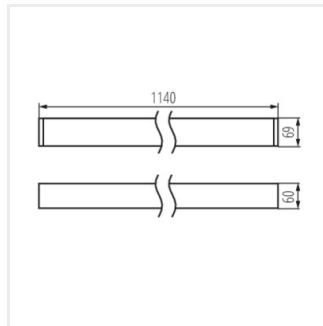
ALD-ML-WW-MPR-S-NT

## ALD-ML-NT

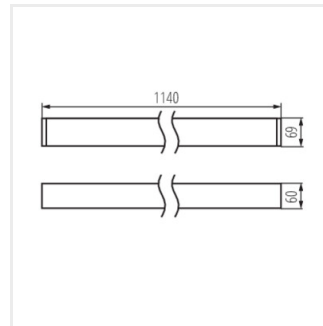
Linear LED luminaire



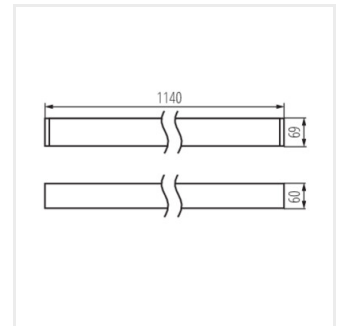
ALD-ML-NW-MAT-W-NT



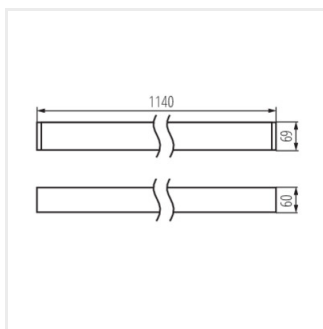
ALD-ML-WW-MAT-W-NT



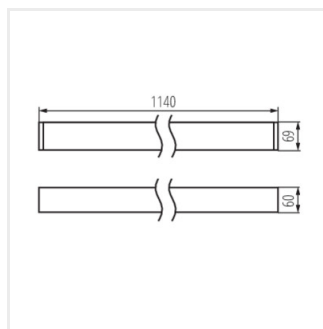
ALD-ML-NW-MPR-W-NT



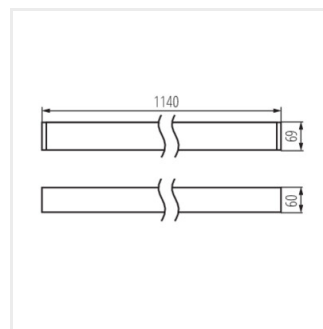
ALD-ML-WW-MPR-W-NT



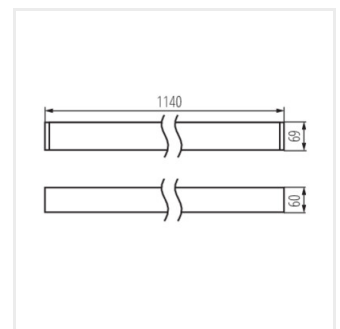
ALD-ML-NW-MAT-B-NT



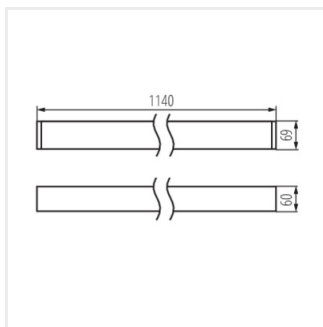
ALD-ML-WW-MAT-B-NT



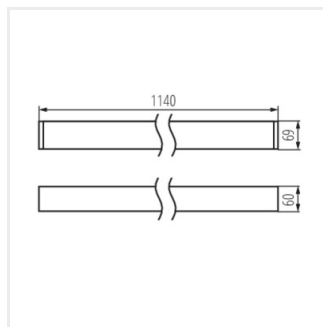
ALD-ML-NW-MPR-B-NT



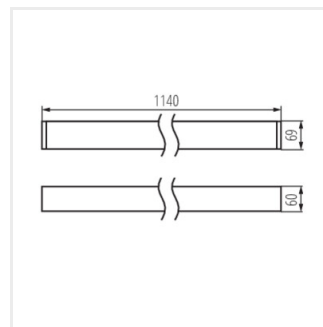
ALD-ML-WW-MPR-B-NT



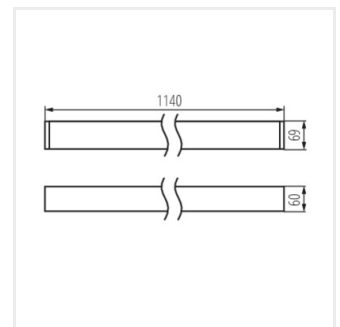
ALD-ML-NW-MAT-S-NT



ALD-ML-WW-MAT-S-NT



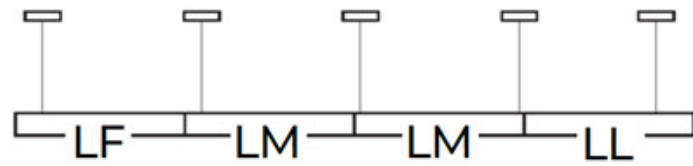
ALD-ML-NW-MPR-S-NT



ALD-ML-WW-MPR-S-NT

## ALD-ML-NT

Linear LED luminaire



Accessories

**32543**

ALIN CORD DALI 1F-W

Power supply terminal for ALIN luminaires and tracks, 1-phase, DALI, white, 150 cm



**32544**

ALIN CORD DALI 1F-B

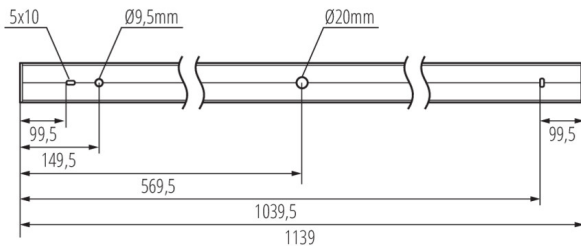
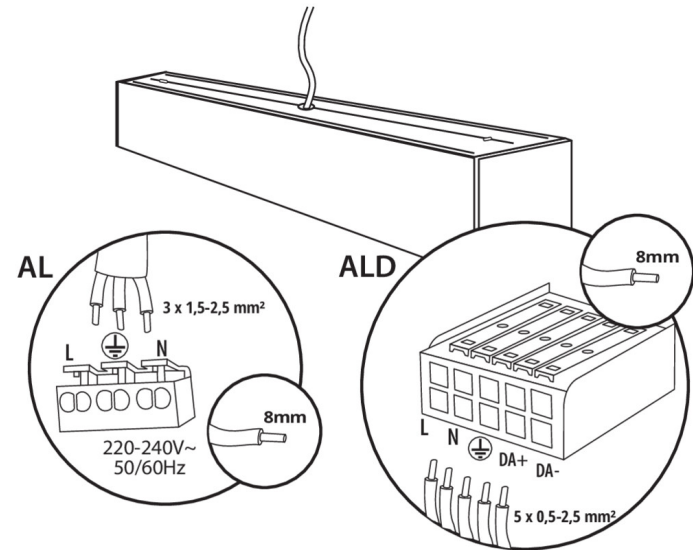
Power supply terminal for ALIN luminaires and tracks, 1-phase, DALI, black, 150 cm



**32545**

ALIN CORD DALI 1F-SR

Power supply terminal for ALIN luminaires and tracks, 1-phase, DALI, silver, 150 cm



**07871**

ROPE-NT 150 SINGLE

ROPE-NT 150 SINGLE steel rope (single) for suspending fittings, 2 pcs. in a set



**29557**

ALIN NT GRIP

Wall bracket for the ALIN luminaire, 2 pcs included



**25979**

KLOSZ MPR AL 23W/33W

MPR shade for fitting ALIN, MPR SHADE AL 23W/33W, (25979)

