

## ALD-ML-PT

Linear LED luminaire



[V] 220-240 AC	[Hz] 50	$\geq 30000$	[h] 50000	ellipse $\leq 3 \times$ MacAdam	Ra 80	SMD
DALI		IP 20		[°C] 5÷25		
[mm] 0.5÷2.5		0,5m	CE	EAC	UK CA	



### ALD-ML-NW-MAT-W-PT

	[V]	Tc [K]	TYPE	[°]	[mm]	[m]	[mm]	[mm]
ALD-ML-NW-MAT-W-PT	34260	25	4000	matt	X85/Y95	white	3250	1150
ALD-ML-WW-MAT-W-PT	34262	25	3000	matt	X85/Y95	white	2980	1150
ALD-ML-NW-MPR-W-PT	34264	25	4000	microprismatic	X75/Y90	white	3000	1150
ALD-ML-WW-MPR-W-PT	34266	25	3000	microprismatic	X75/Y90	white	2750	1150
ALD-ML-NW-MAT-B-PT	34272	25	4000	matt	X85/Y95	black	3250	1150
ALD-ML-WW-MAT-B-PT	34274	25	3000	matt	X85/Y95	black	2980	1150
ALD-ML-NW-MPR-B-PT	34276	25	4000	microprismatic	X75/Y90	black	3000	1150
ALD-ML-WW-MPR-B-PT	34278	25	3000	microprismatic	X75/Y90	black	2750	1150
ALD-ML-NW-MAT-S-PT	34284	25	4000	matt	X85/Y95	silver	3250	1150
ALD-ML-WW-MAT-S-PT	34286	25	3000	matt	X85/Y95	silver	2980	1150
ALD-ML-NW-MPR-S-PT	34288	25	4000	microprismatic	X75/Y90	silver	3000	1150
ALD-ML-WW-MPR-S-PT	34290	25	3000	microprismatic	X75/Y90	silver	2750	1150

- 5 years Warranty under the terms of the warranty statement, available on our website
- Enclosure material: steel
- Lampshade material: plastic

## ALD-ML-PT

Linear LED luminaire



ALD-ML-NW-MAT-W-PT



ALD-ML-WW-MAT-W-PT



ALD-ML-NW-MPR-W-PT



ALD-ML-WW-MPR-W-PT



ALD-ML-NW-MAT-B-PT



ALD-ML-WW-MAT-B-PT



ALD-ML-NW-MPR-B-PT



ALD-ML-WW-MPR-B-PT



ALD-ML-NW-MAT-S-PT



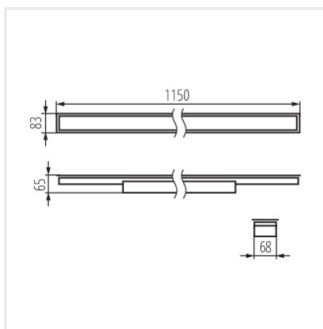
ALD-ML-WW-MAT-S-PT



ALD-ML-NW-MPR-S-PT



ALD-ML-WW-MPR-S-PT



ALD\_ML