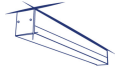


ALD-LH-NT

Linear LED luminaire



[V] 220-240 AC	[Hz] 50	≥ 30000	[h] 50000	ellipse $\leq 3x$ MacAdam	Ra 80	SMD
DALI		IP 20		[°C] 5÷25		
[mm] 0.5÷2.5		0,5m	CE	EAC	UK CA	



ALD-LH-NW-MAT-W-NT

	[W]	Tc [K]		[°]		[m]	[mm]	
ALD-LH-NW-MAT-W-NT	34333	52	4000	matt	X85/Y95	white	6300	1700
ALD-LH-WW-MAT-W-NT	34335	52	3000	matt	X85/Y95	white	5600	1700
ALD-LH-NW-MPR-W-NT	34337	52	4000	microprismatic	X75/Y90	white	5800	1700
ALD-LH-WW-MPR-W-NT	34339	52	3000	microprismatic	X75/Y90	white	5150	1700
ALD-LH-NW-MAT-B-NT	34345	52	4000	matt	X85/Y95	black	6300	1700
ALD-LH-WW-MAT-B-NT	34347	52	3000	matt	X85/Y95	black	5600	1700
ALD-LH-NW-MPR-B-NT	34349	52	4000	microprismatic	X75/Y90	black	5800	1700
ALD-LH-WW-MPR-B-NT	34351	52	3000	microprismatic	X75/Y90	black	5150	1700
ALD-LH-NW-MAT-S-NT	34357	52	4000	matt	X85/Y95	silver	6300	1700
ALD-LH-WW-MAT-S-NT	34359	52	3000	matt	X85/Y95	silver	5600	1700
ALD-LH-NW-MPR-S-NT	34361	52	4000	microprismatic	X75/Y90	silver	5800	1700
ALD-LH-WW-MPR-S-NT	34363	52	3000	microprismatic	X75/Y90	silver	5150	1700

- 5 years Warranty under the terms of the warranty statement, available on our website
- Enclosure material: aluminum alloy
- Lampshade material: plastic

ALD-LH-NT

Linear LED luminaire



ALD-LH-NW-MAT-W-NT



ALD-LH-WW-MAT-W-NT



ALD-LH-NW-MPR-W-NT



ALD-LH-WW-MPR-W-NT



ALD-LH-NW-MAT-B-NT



ALD-LH-WW-MAT-B-NT



ALD-LH-NW-MPR-B-NT



ALD-LH-WW-MPR-B-NT



ALD-LH-NW-MAT-S-NT



ALD-LH-WW-MAT-S-NT



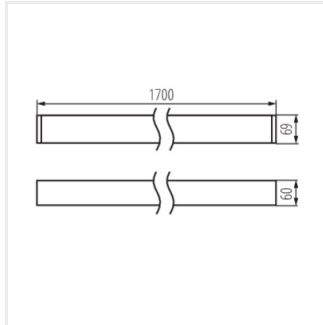
ALD-LH-NW-MPR-S-NT



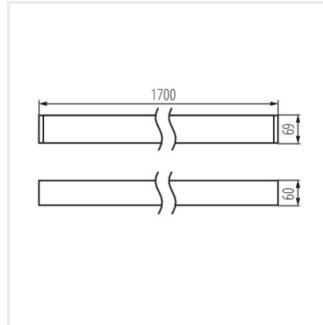
ALD-LH-WW-MPR-S-NT

ALD-LH-NT

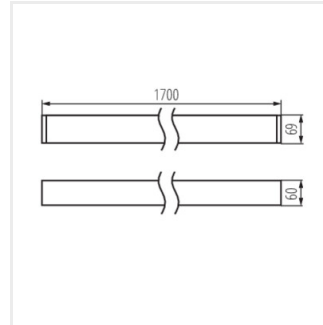
Linear LED luminaire



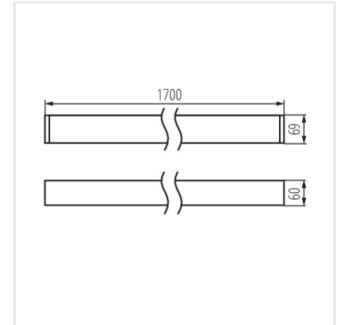
ALD-LH-NW-MAT-W-NT



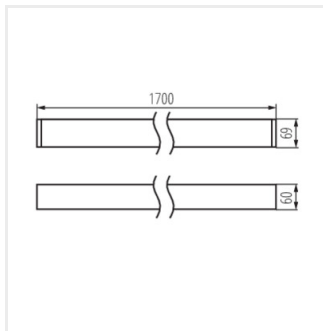
ALD-LH-WW-MAT-W-NT



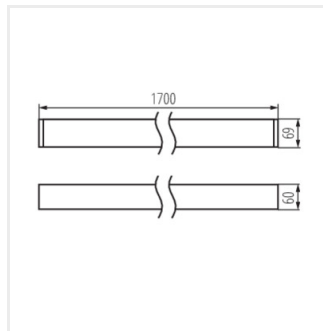
ALD-LH-NW-MPR-W-NT



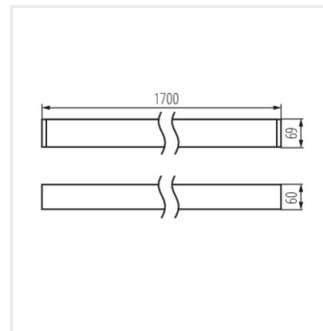
ALD-LH-WW-MPR-W-NT



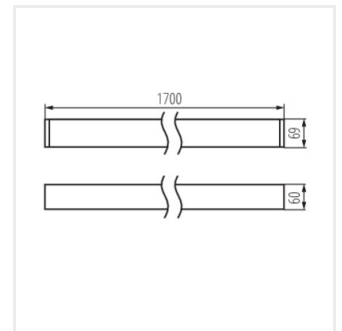
ALD-LH-NW-MAT-B-NT



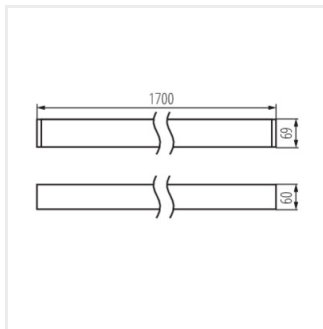
ALD-LH-WW-MAT-B-NT



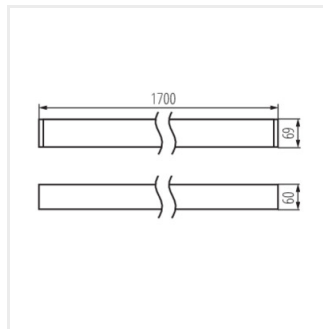
ALD-LH-NW-MPR-B-NT



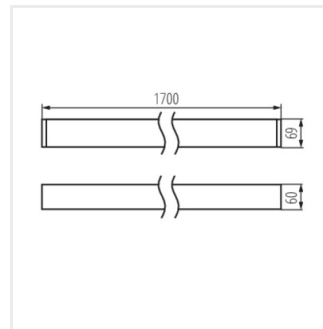
ALD-LH-WW-MPR-B-NT



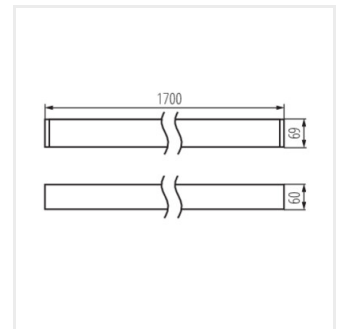
ALD-LH-NW-MAT-S-NT



ALD-LH-WW-MAT-S-NT



ALD-LH-NW-MPR-S-NT







ALD-LH-WW-MPR-S-NT

ALD-LH-NT

Linear LED luminaire

Accessories

32543	ALIN CORD DALI 1F-W	Power supply terminal for ALIN luminaires and tracks, 1-phase, DALI, white, 150 cm
		
32544	ALIN CORD DALI 1F-B	Power supply terminal for ALIN luminaires and tracks, 1-phase, DALI, black, 150 cm
		
32545	ALIN CORD DALI 1F-SR	Power supply terminal for ALIN luminaires and tracks, 1-phase, DALI, silver, 150 cm
		
07871	ROPE-NT 150 SINGLE	ROPE-NT 150 SINGLE steel rope (single) for suspending fittings, 2 pcs. in a set
		
29557	ALIN NT GRIP	Wall bracket for the ALIN luminaire, 2 pcs included
