

ALD-LH-PT

Linear LED luminaire



[V] 220-240 AC	[Hz] 50	≥30000	[h] 50000	ellipse ≤3x MacAdam	Ra 80	SMD
DALI		IP 20		[°C] 5÷25		
[mm²] 0.5÷2.5		0,5m	CE	EAC	UK CA	



ALD-LH-NW-MAT-W-PT

	[V]	Tc [K]		[°]		[m]	[mm]
ALD-LH-NW-MAT-W-PT	34369	52	4000	matt	X85/Y95	white	6300 1710
ALD-LH-WW-MAT-W-PT	34371	52	3000	matt	X85/Y95	white	5600 1710
ALD-LH-NW-MPR-W-PT	34373	52	4000	microprismatic	X75/Y90	white	5800 1710
ALD-LH-WW-MPR-W-PT	34375	52	3000	microprismatic	X75/Y90	white	5150 1710
ALD-LH-NW-MAT-B-PT	34381	52	4000	matt	X85/Y95	black	6300 1710
ALD-LH-WW-MAT-B-PT	34383	52	3000	matt	X85/Y95	black	5600 1710
ALD-LH-NW-MPR-B-PT	34385	52	4000	microprismatic	X75/Y90	black	5800 1710
ALD-LH-WW-MPR-B-PT	34387	52	3000	microprismatic	X75/Y90	black	5150 1710
ALD-LH-NW-MAT-S-PT	34393	52	4000	matt	X85/Y95	silver	6300 1710
ALD-LH-WW-MAT-S-PT	34395	52	3000	matt	X85/Y95	silver	5600 1710
ALD-LH-NW-MPR-S-PT	34397	52	4000	microprismatic	X75/Y90	silver	5800 1710
ALD-LH-WW-MPR-S-PT	34399	52	3000	microprismatic	X75/Y90	silver	5150 1710

- 5 years Warranty under the terms of the warranty statement, available on our website
- Enclosure material: steel
- Lampshade material: plastic

ALD-LH-PT

Linear LED luminaire



ALD-LH-NW-MAT-W-PT



ALD-LH-WW-MAT-W-PT



ALD-LH-NW-MPR-W-PT



ALD-LH-WW-MPR-W-PT



ALD-LH-NW-MAT-B-PT



ALD-LH-WW-MAT-B-PT



ALD-LH-NW-MPR-B-PT



ALD-LH-WW-MPR-B-PT



ALD-LH-NW-MAT-S-PT



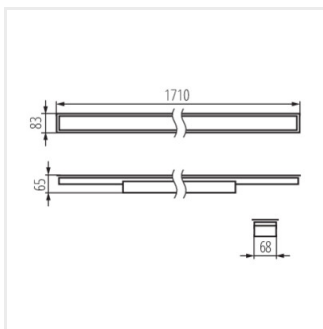
ALD-LH-WW-MAT-S-PT



ALD-LH-NW-MPR-S-PT



ALD-LH-WW-MPR-S-PT



ALD-LH