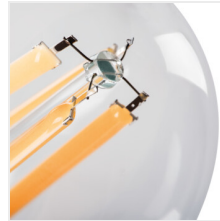


XLED A60

LED light source



[V] 220-240 AC	[Hz] 50	FILAMENT	360° Φ _{use}	ellipse ≤ 6x MacAdam	Ra 80	≥15000
		CE	EAC	UK CA		



XLED A60 4,5W-WW



	PoN	[W]	[lm]	Φ _{use}	T _c [K]	[°]	filament	[h]	Ei
XLED A60 4.5W-WW	29600	4.5	40	470	2700	320	E27	15000	F
XLED A60 7W-WW	29601	7	60	810	2700	320	E27	15000	E
XLED A60 7W-NW	29602	7	60	810	4000	320	E27	15000	E
XLED A60 7W-CW	29603	7	60	810	6500	320	E27	15000	E
XLED A60 8W-WW	29604	8	75	1055	2700	320	E27	15000	E
XLED A60 10W-WW	29605	10	99	1520	2700	320	E27	10000	D
XLED A60 10W-NW	29606	10	99	1520	4000	320	E27	10000	D
XLED A60 4.5W-NW	33099	4.5	40	470	4000	320	E27	15000	F
XLED A60 8W-NW	33098	8	75	1055	4000	320	E27	15000	E

Kanlux XLED combines the best features of traditional bulbs and modern LED light sources. Therefore, we talk about it as the first real LED bulb. A glass bulb in the shape of a traditional bulb and LED diodes placed in such a way so that light can part in all directions, and the angle of light comes to even 320 degrees!

- Lampshade material: glass

XLED A60

LED light source



XLED A60 4,5W-WW



XLED A60 7W-WW



XLED A60 7W-NW



XLED A60 7W-CW



XLED A60 8W-WW



XLED A60 10W-WW



XLED A60 10W-NW



XLED A60 4,5W-NW



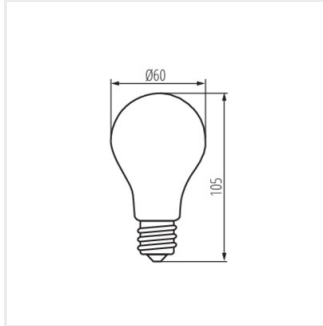
XLED A60 8W-NW

Date of issue: 03.07.2024, 14:00

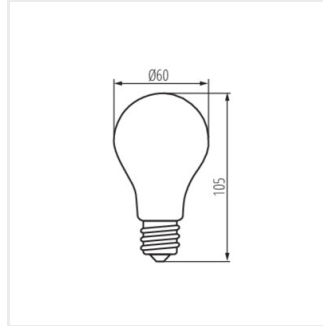
We reserve the right to make technical changes. The data contained in this material are not legally binding.

XLED A60

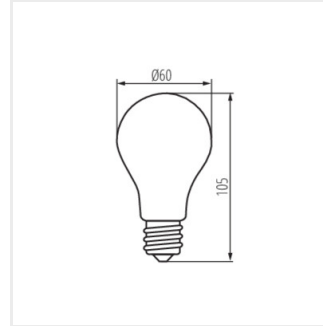
LED light source



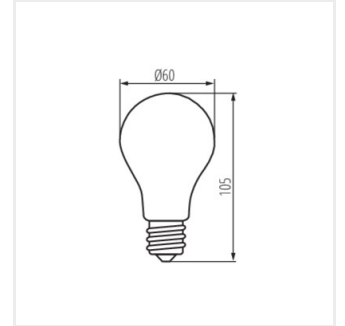
XLED A60 4,5W



XLED A60 7W



XLED A60 8W



XLED A60 10W