

iQ-LED

Kanlux

IQ-LED EX GU10

LED light source



[V] 220-240 AC	[Hz] 50	PAR16	SMD	120° Φ _{Use}	ellipse ≤ 6x MacAdam	Ra 80
≥50000	50000 ^[h]	Hg		CE	EAC	UK CA
↓						



IQ-LEDEX GU10 2,5W-NW



	PON [W]	[W]	[lm]	[lm] Φ _{use}	T _c [K]	[°]		Ei	
IQ-LEDEX GU10 2.5W-NW	33769	2.5	54	460	450	4000	100	GU10	A
IQ-LEDEX GU10 4.7W-WW	36601	4.7	89	850	850	3000	100	GU10	A
IQ-LEDEX GU10 4.7W-NW	36602	4.7	89	850	850	4000	100	GU10	A

Kanlux IQ-LED EX GU10 is a new light source with a GU10 base in the well-known and popular series of Kanlux IQ-LED products. They are characterized by extreme luminous efficiency. More powerful model consume only 4,7W of energy, and give as much light as traditional 89W! That's as much as 850 lumens of light. Eenergy efficiency class A, 50,000 hours of lighting - these are the most important advantages of this source. In addition, Kanlux IQ-LED EX GU10 has all the advantages of the IQ-LED series.

- 5 years Warranty under the terms of the warranty statement, available on our website

Date of issue: 18.02.2025, 15:20

We reserve the right to make technical changes. The data contained in this material are not legally binding.

Photometry: the results obtained from testing were from a specific sample.

Kanlux S.A. ul. Objazdowa 1-3, 41-922 Radzionków, Poland kanlux@kanlux.com

EN

iQ LED

Kanlux

IQ-LED EX GU10

LED light source



IQ-LEDEX GU10 2,5W-NW



IQ-LEDEX GU10 4,7W-WW



IQ-LEDEX GU10 4,7W-NW

Date of issue: 18.02.2025, 15:20

We reserve the right to make technical changes. The data contained in this material are not legally binding.

Photometry: the results obtained from testing were from a specific sample.

Kanlux S.A. ul. Objazdowa 1-3, 41-922 Radzionków, Poland kanlux@kanlux.com

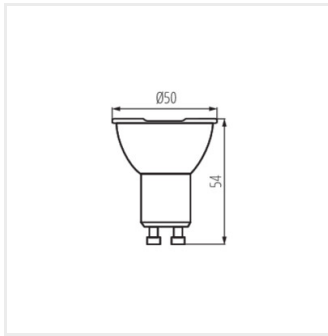
EN

iQ LED

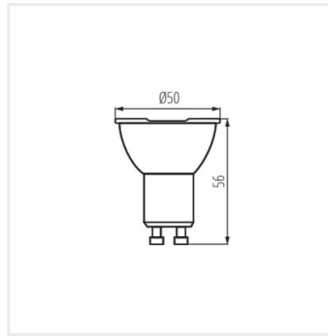
Kanlux

IQ-LED EX GU10

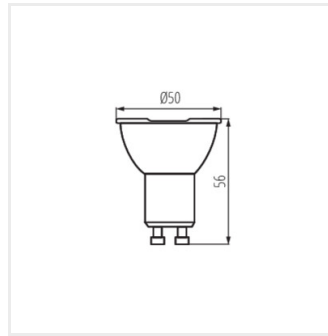
LED light source



IQ-LEDEX GU10 2,5W-NW



IQ-LEDEX GU10 4,7W-WW



IQ-LEDEX GU10 4,7W-NW

Date of issue: 18.02.2025, 15:20

We reserve the right to make technical changes. The data contained in this material are not legally binding.

Photometry: the results obtained from testing were from a specific sample.

Kanlux S.A. ul. Objazdowa 1-3, 41-922 Radzionków, Poland kanlux@kanlux.com

EN