

## BLINGO NT

### Surface-mounted LED panel



[V] 220-240 AC	[Hz] 50	lm/W 120	≥50000	50000 <sup>(h)</sup>	ellipse ≤ 6x MacAdam	Ra 80
SMD			IP 20	house icon	5÷25 <sup>[°C]</sup>	up arrow icon
0.75-2.5 <sup>[mm<sup>2</sup>]</sup>	0,5m	CE	EAC	UK CA	down arrow icon	



BLINGO NT 34W 6060



BLINGO NT 34W 6060	<b>37275</b>	34	white	4080	115	4000
BLINGO NT 34W 12030	<b>37276</b>	34	white	4080	115	4000

Kanlux BLINGO NT is an extension of the BLINGO family, which introduces surface-mounted versions of these popular LED panels. They are an excellent alternative to traditional "panel + frame" configurations. With a luminous efficiency of 120lm/W, BLINGO LED NT offers excellent lighting with low energy consumption. BLINGO NT panels are equipped with a power supply integrated with the fixture, which facilitates installation and ensures a neat appearance. They are also distinguished by exceptionally quick and easy installation, thanks to four mounting holes. The set also includes four mounting pins and caps, which makes installation not only quick but also aesthetic.

By choosing Kanlux BLINGO NT, you gain a modern lighting solution that combines efficiency, ease of installation and reliability. Additionally, Kanlux BLINGO NT is covered by a 5-year warranty, which ensures long-term and trouble-free use.

- 5 years Warranty under the terms of the warranty statement, available on our website
- Enclosure material: iron
- Lampshade material: plastic
- Panel/frame material: iron

## BLINGO NT

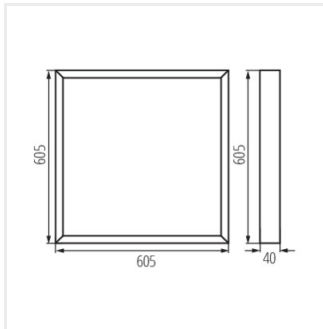
Surface-mounted LED panel



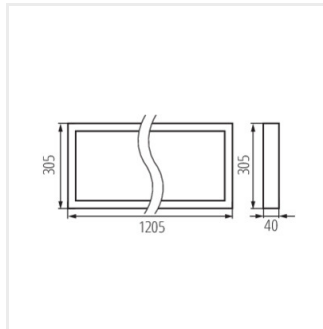
BLINGO NT 34W 6060



BLINGO NT 34W 12030



BLINGO NT 34W 6060



BLINGO NT 34W 12030