

Kanlux



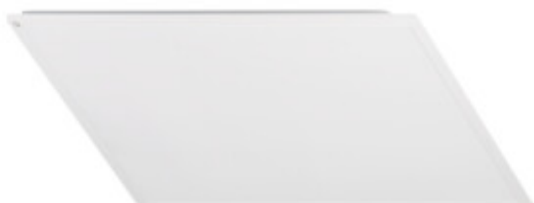
Kanlux BLINGO LED

Kanlux BLINGO LED v2 are backlight panels. They are equipped with a junction box with a quick connector, which allows for pass-through connection of panels and speeds up their installation. In the new models of the well-known Kanlux BLINGO LED v2 panels, we have introduced an integrated power supply, thanks to which we can place them in an appropriate Kanlux ADTR frame and perform surface-mounting of the panels. BLINGO LED v2 panels have a grooved frame and higher luminous efficiency than their previous versions (Kanlux BLINGO LED).

- 5 years Warranty under the terms of the warranty statement, available on our website
-
- Panel/frame material: steel



 220-240 AC	 50	 50000	 ellipse ≤ 6x MacAdam	 SMD		
 5÷25		 1-2.5	 0,5m			



BLINGO 34W 3740 60WW



UGR

IP



BLINGO 34W 3740 60WW	37170	34	3740	3000	115		20	white
BLINGO 34W 4080 60NW	37171	34	4080	4000	115		20	white
BLINGO 34W 4080 60CW	37172	34	4080	6500	115		20	white
BLINGO U34W 4080 60NW	37173	34	4080	4000	90	<19	20	white
BLINGO 34W 4080 120NW	37174	34	4080	4000	115		20	white
BLINGO U34W 4080 120N	37175	34	4080	4000	90	<19	20	white
BLINGO 38W 4560 60NW	37176	38	4560	4000	115		20	white
BLINGO 38W 4560 120NW	37177	38	4560	4000	115		20	white
BLINGO 24W 4320 60NW	37178	24	4320	4000	115		20	white
BLINGO U24W 4000 60NW	37179	24	4000	4000	90	<19	20	white
BLINGO IP65 40W 60NW	37279	40	4800	4000	120	<22	65	white



BLINGO 34W 3740 60WW



BLINGO 34W 4080 60NW



BLINGO 34W 4080 60CW



BLINGO U34W 4080
60NW



BLINGO 34W 4080 120NW



BLINGO U34W 4080 120N



BLINGO 38W 4560 60NW



BLINGO 38W 4560 120NW



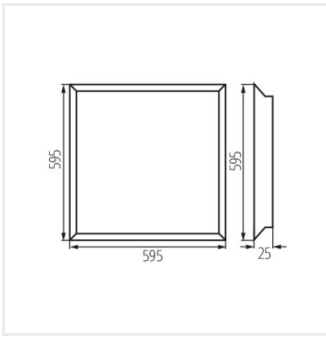
BLINGO 24W 4320 60NW



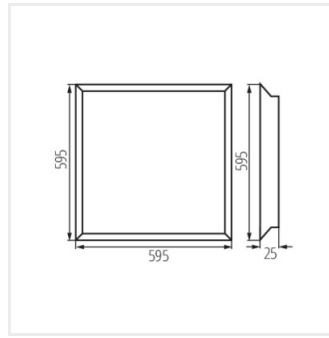
BLINGO U24W 4000
60NW



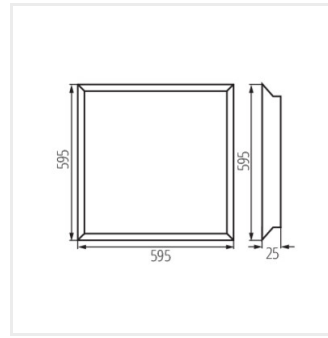
BLINGO IP65 40W 60NW



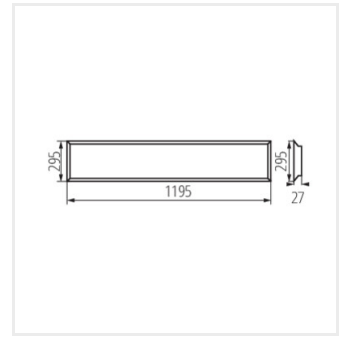
BLINGO 34W 3740 60WW



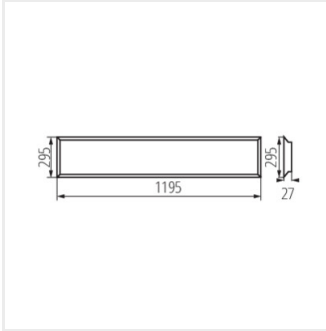
BLINGO 34W 4080 60



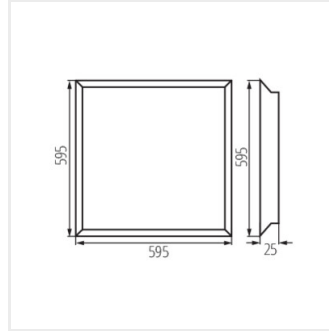
BLINGO U34W 4080 60



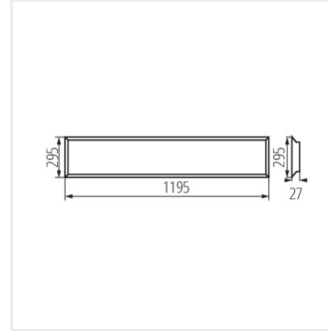
BLINGO 34W 4080 120



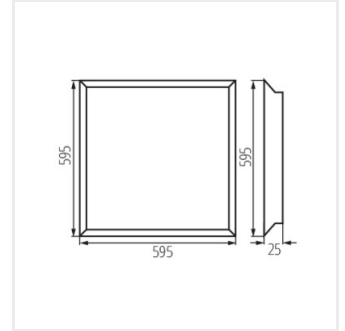
BLINGO U34W 4080 120N



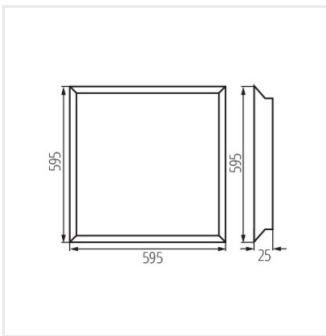
BLINGO 38W 4560 60



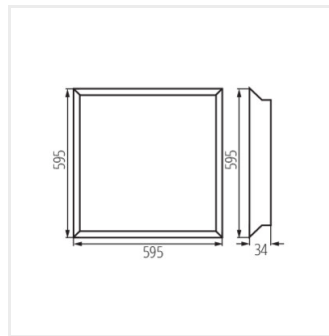
BLINGO 38W 4560 120



BLINGO 24W 4320 60NW



BLINGO U24W 4000
60NW



BLINGO IP65 40W 60NW

		BLINGO 24W 4320 60NW	BLINGO U24W 4000 60NW	BLINGO 34W 4080 60NW	BLINGO 34W 3740 60WW	BLINGO 34W 4080 60CW	BLINGO U34W 4080 60NW	BLINGO 34W 4080 120NW
	INDEX	37178	37179	37171	37170	37172	37173	37174
SPN PANEL 120	37336							✓
SPN PANEL 60-62	37335	✓	✓	✓	✓	✓	✓	
CLIPS PANEL 120	37338							✓
CLIPS PANEL 60-62	37337	✓	✓	✓	✓	✓	✓	
ADTR 6060 B	27615	✓	✓	✓	✓	✓	✓	
ADTR 6060 SR	27610	✓	✓	✓	✓	✓	✓	
ADTR 6060 W	27613	✓	✓	✓	✓	✓	✓	
ADTR-S 6060 W	27616	✓	✓	✓	✓	✓	✓	
ADTR 12030 B	27614							✓
ADTR 12030 SR	27612							✓
ADTR 12030 W	27611							✓
ADTR-H 6060 B	29845	✓	✓	✓	✓	✓	✓	
ADTR-H 6060 SR	29844	✓	✓	✓	✓	✓	✓	
ADTR-H 6060 W	29843	✓	✓	✓	✓	✓	✓	
ADTR-S-H 6060 W	27617	✓	✓	✓	✓	✓	✓	
ADTR-H 76MM 6060 W	33398	✓	✓	✓	✓	✓	✓	
ADTR-H 12030 B	33391							✓
ADTR-H 12030 SR	33392							✓
ADTR-H 12030 W	33390							✓
ADTR-H 6262 W	33435							

		BLINGO 38W 4560 60NW	BLINGO 38W 4560 120NW	BLINGO TN38W 6060 NW	BLINGO TUN48W 6060 NW	BLINGO IPRN38W 6060NW	BLINGO IP65 40W 60NW
	INDEX	37176	37177	33177	33179	33174	37279
SPN PANEL 120	37336		✓				
SPN PANEL 60-62	37335	✓		✓	✓	✓	✓
CLIPS PANEL 120	37338		✓				
CLIPS PANEL 60-62	37337	✓		✓	✓	✓	✓
ADTR 6060 B	27615	✓		✓	✓		
ADTR 6060 SR	27610	✓		✓	✓		
ADTR 6060 W	27613	✓		✓	✓		
ADTR-S 6060 W	27616	✓		✓	✓		
ADTR 12030 B	27614		✓				
ADTR 12030 SR	27612		✓				
ADTR 12030 W	27611		✓				
ADTR-H 6060 B	29845	✓		✓	✓	✓	✓
ADTR-H 6060 SR	29844	✓		✓	✓	✓	✓
ADTR-H 6060 W	29843	✓		✓	✓	✓	✓
ADTR-S-H 6060 W	27617	✓		✓	✓	✓	✓
ADTR-H 76MM 6060 W	33398	✓		✓	✓	✓	✓
ADTR-H 12030 B	33391		✓				
ADTR-H 12030 SR	33392		✓				
ADTR-H 12030 W	33390		✓				
ADTR-H 6262 W	33435						

Date of issue: 26.11.2024, 14:20

We reserve the right to make technical changes. The data contained in this material are not legally binding.

Photometry: the results obtained from testing were from a specific sample.