

CARVO LED

Ceiling-mounted LED light fitting



 220-240 AC	 50	 120	 ≥20000	 25000	 ellipse ≤ 6x Mackdam	 80
	 SMD			 IP 20	 5÷25	
		 1.5	 0,5m	 75		



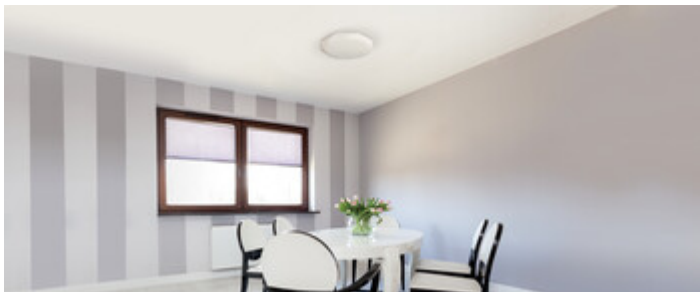
CARVO LED 17,5W NW



CARVO LED 17.5W NW	37321	17.5	LED	1320	4000	white
--------------------	-------	------	-----	------	------	-------

Kanlux CARVO LED is a ceiling lamp whose shape brings to mind a polished diamond. Elegant, geometric shapes will suit modern interiors, and the subtle light from the ceiling lamp will illuminate smaller and medium-sized rooms.

- Enclosure material: Metal
- Lampshade material: plastic

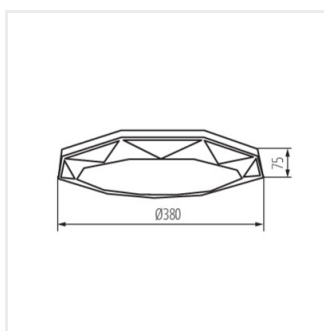


CARVO LED

Ceiling-mounted LED light fitting



CARVO LED 17,5W NW



CARVO LED 17,5W NW