

## SENSQUARE

PIR motion sensor



|                   |            |              |    |     |           |            |
|-------------------|------------|--------------|----|-----|-----------|------------|
| [V]<br>220-240 AC | [Hz]<br>50 | IP<br>54     |    |     | <br>max 8 | <br>3-2000 |
| <br>-20+40        |            | <br>0.75÷1.5 | CE | EAC | UK<br>CA  |            |



SENSQUARE-W



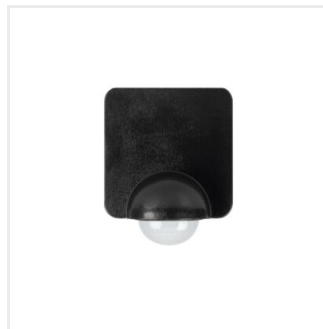
|             |              |      |              |      |       |     |
|-------------|--------------|------|--------------|------|-------|-----|
| SENSQUARE-W | <b>37368</b> | 1200 | wall mounted | H360 | 10-15 | PIR |
| SENSQUARE-B | <b>37369</b> | 1200 | wall mounted | H360 | 10-15 | PIR |

SENSQUARE sensors are designed for wall mounting and use infrared technology. The combination of a unique design, a wide detection range, and an IP54 rating allows for the adaptation of the sensor to many applications. An additional advantage of the sensor is the included accessory that allows for mounting the sensor on both internal and external corners. Available in black and white.

- Material: plastic



SENSQUARE-W

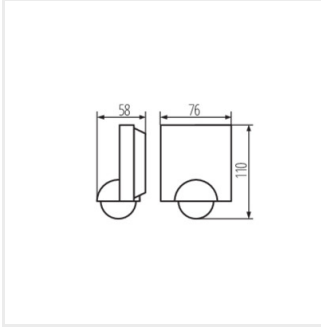


SENSQUARE-B

## SENSQUARE

---

PIR motion sensor



SENSQUARE