

## FIZU

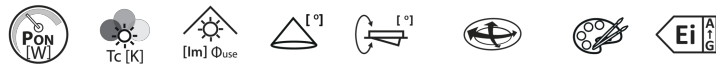
### Downlight fitting



[V] 220-240 AC	[Hz] 50	[W] 4.8	[h] ≥15000	[h] 25000	ellipse ≤ 6x Mackdam	Ra 80
SMD				5÷25		
[mm²] 0.5-2.5	[mm] Ø65	0,5m	90° Φ <sub>use</sub>			



### FIZU IP44 4,8W NW-W



Model	Power [W]	Temp [K]	Beam [lm]	Beam [mm]	Beam [mm]	Beam [mm]	Beam [mm]	Beam [mm]	Beam [mm]	Beam [mm]
FIZU IP44 4.8W NW-W	38260	4.8	4000	420	36				white	F
FIZU IP44 4.8W NW-B	38261	4.8	4000	420	36				black	F
FIZU 4.8W NW-W	38262	4.8	4000	420	36	30	in one axis	white	F	
FIZU 4.8W NW-B	38263	4.8	4000	420	36	30	in one axis	black	F	
FIZU 4.8W WW-W	38264	4.8	3000	420	36	30	in one axis	white	F	
FIZU 4.8W WW-B	38265	4.8	3000	420	36	30	in one axis	black	F	

- Enclosure material: plastic
- Lampshade material: plastic

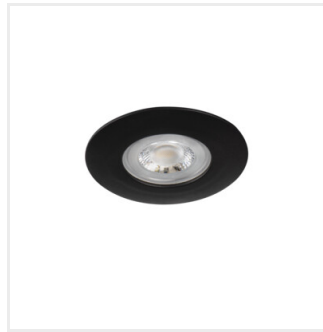


## FIZU

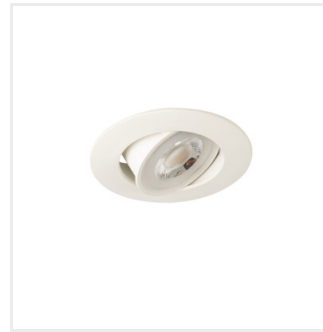
### Downlight fitting



FIZU IP44 4,8W NW-W



FIZU IP44 4,8W NW-B



FIZU 4,8W NW-W



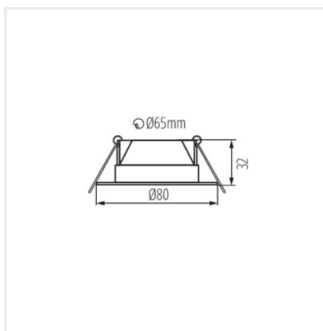
FIZU 4,8W NW-B



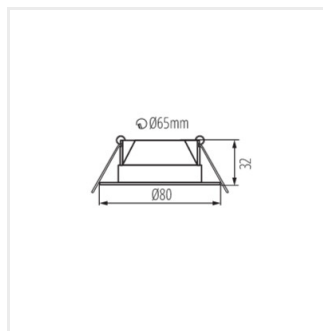
FIZU 4,8W WW-W



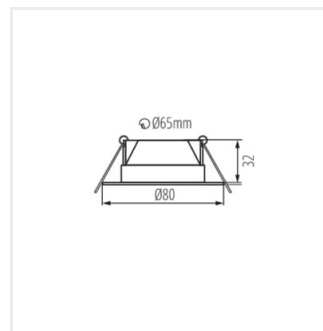
FIZU 4,8W WW-B



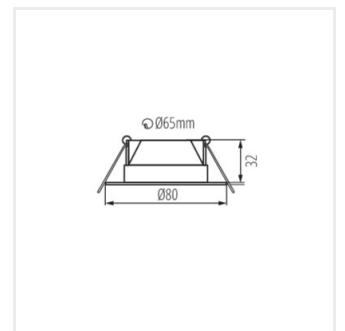
FIZU IP44 4,8W NW-W



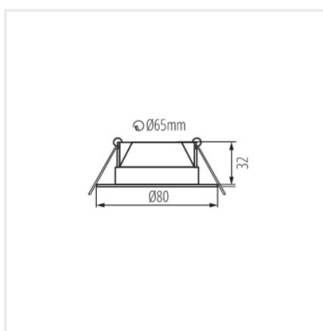
FIZU IP44 4,8W NW-B



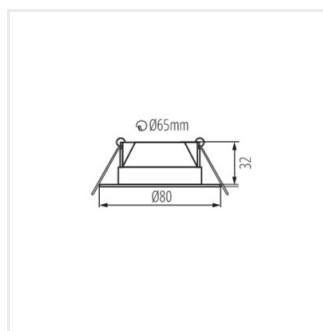
FIZU 4,8W NW-W



FIZU 4,8W NW-B



FIZU 4,8W WW-W



FIZU 4,8W WW-B