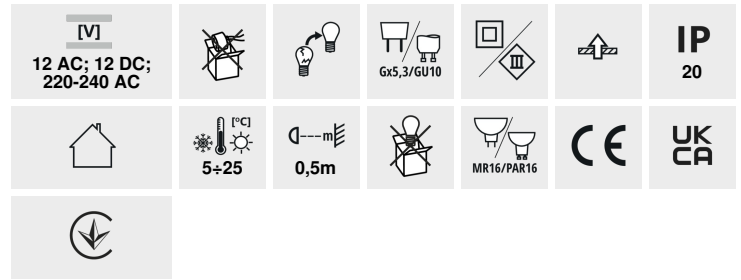
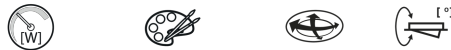


## ARET

Ring for spotlight fittings



### ARET 1XMR16-W



ARET 1XMR16-W	<b>26720</b>	max 10	white / black	in one axis	20
ARET 2XMR16-W	<b>26723</b>	2 x max 10	white / black	in one axis	20
ARET DTO B/W	<b>38360</b>	max 10	white / black	in one axis	20
ARET DTO W/W	<b>38361</b>	max 10	white	in one axis	20
ARET DTO B/B	<b>38362</b>	max 10	black	in one axis	20
ARET DTL B/W	<b>38363</b>	max 10	white / black	in one axis	20
ARET DTL W/W	<b>38364</b>	max 10	white	in one axis	20
ARET DTL B/B	<b>38365</b>	max 10	black	in one axis	20
ARET 2xDTL B/W	<b>38366</b>	2 x max 10	white / black	in one axis	20
ARET 2xDTL W/W	<b>38367</b>	2 x max 10	white	in one axis	20
ARET 2xDTL B/B	<b>38368</b>	2 x max 10	black	in one axis	20

A family of the Kanlux ARET holders are decorative rings made of aluminium alloy and steel metal sheet. These eyes are without a frame - you decide on your own whether to add the GZ10 or GX5.3 frame to it. It allows adapting the light source to an installation available in a given room. Kanlux ARET works well as additional lighting both at homes, in bars and in restaurants, in places where you want to emphasize an interesting arrangement of a room or to display its fragment.

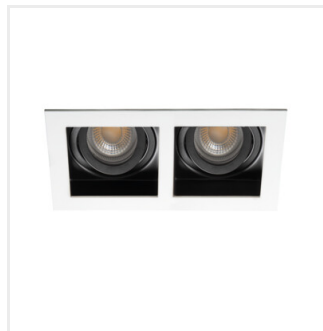
- Decorative ring without a ceramic frame
- Enclosure material: aluminum alloy

## ARET

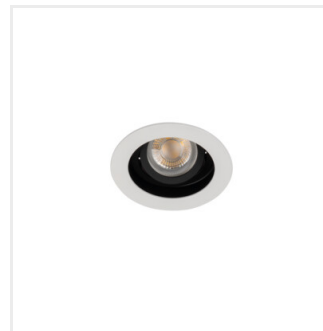
Ring for spotlight fittings



ARET 1XMR16-W



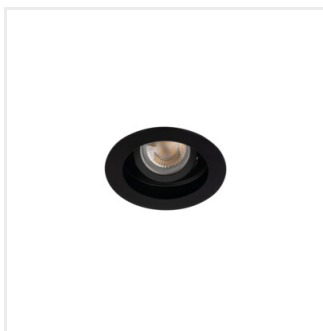
ARET 2XMR16-W



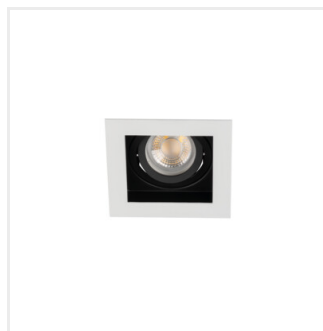
ARET DTO B/W



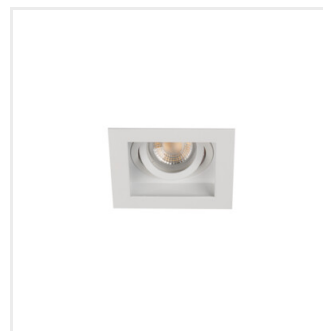
ARET DTO W/W



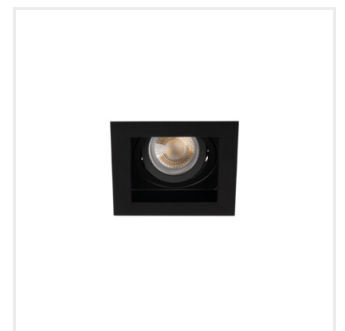
ARET DTO B/B



ARET DTL B/W



ARET DTL W/W



ARET DTL B/B



ARET 2xDTL B/W



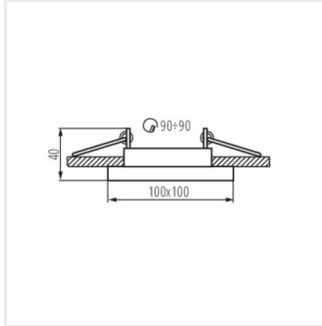
ARET 2xDTL W/W



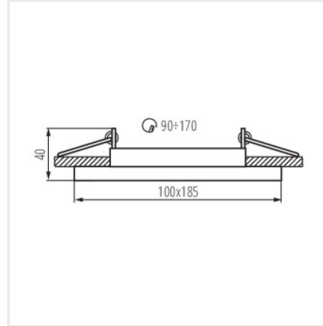
ARET 2xDTL B/B

## ARET

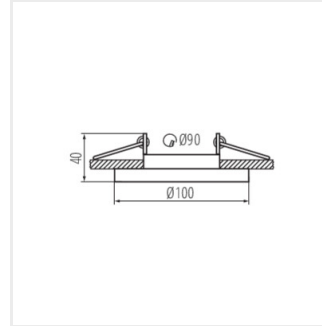
Ring for spotlight fittings



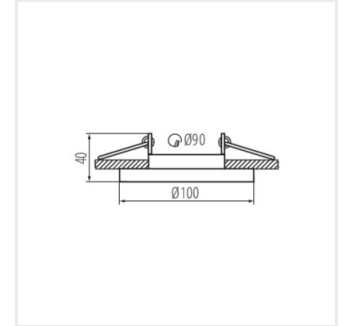
ARET 1XMR16



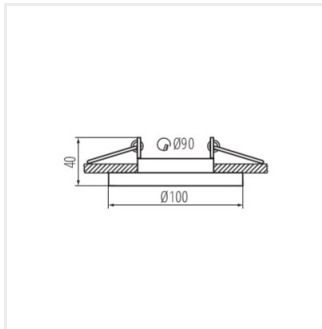
ARET 2XMR16



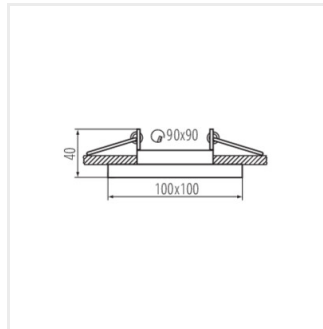
ARET DTO B/W



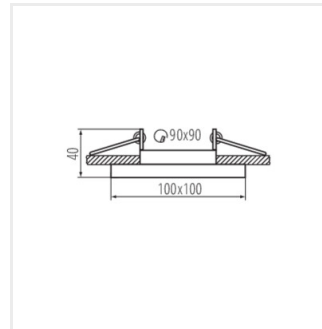
ARET DTO W/W



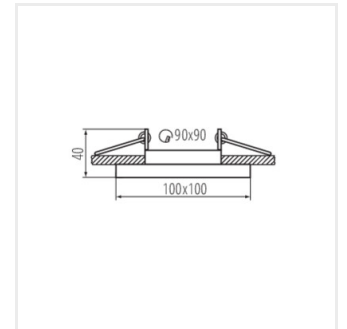
ARET DTO B/B



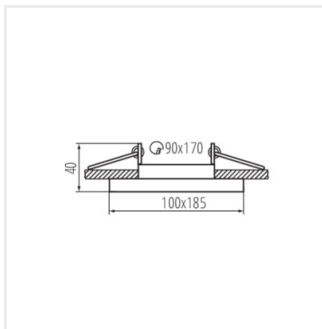
ARET DTL B/W



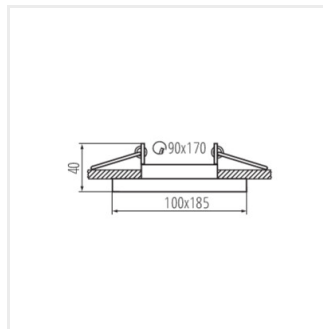
ARET DTL W/W



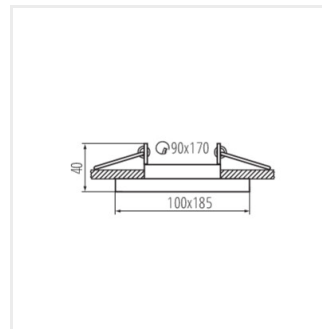
ARET DTL B/B



ARET 2xDTL B/W



ARET 2xDTL W/W



ARET 2xDTL B/B