

Kanlux



Kanlux XLED C35

Kanlux XLED combines the best features of traditional bulbs and modern LED light sources. Therefore, we talk about it as the first real LED bulb. A glass bulb in the shape of a traditional "candle" and LED diodes placed in such a way so that light can part in all directions, and the angle of light comes to even 320 degrees!



HIGH
lumen

up to

150 $\frac{\text{lm}}{\text{W}}$

[V] 220-240 AC	[Hz] 50	FILAMENT	360° Φ_{use}	ellipse $\leq 6x$ Max diam	Ra 80	15000 ^[h]
		CE	EAC	UK CA		



XLED C35E14 2,5W



XLED C35E14 2.5W-WW	29617	2.5	25	250	2700	320	E14	≥15000	F
XLED C35E14 4.5W-WW	29618	4.5	40	470	2700	320	E14	≥15000	F
XLED C35E14 4.5W-NW	29619	4.5	40	470	4000	320	E14	≥15000	F
XLED C35 E14 6W-WW	35272	6	60	806	2700	320	E14	≥25000	E
XLED C35 E14 6W-NW	35273	6	60	806	4000	320	E14	≥25000	E
XLED C35E14 7W-WW	38416	7	75	1055	2700	320	E14	≥25000	D
XLED C35E14 7W-NW	38417	7	75	1055	4000	320	E14	≥25000	D
XLED C35E14 7W-CW	38418	7	75	1055	6500	320	E14	≥25000	D



XLED C35E14 2,5W



XLED C35E14 4,5W



XLED C35E14 4,5W-NW



XLED C35 E14 6W-WW



XLED C35 E14 6W-NW



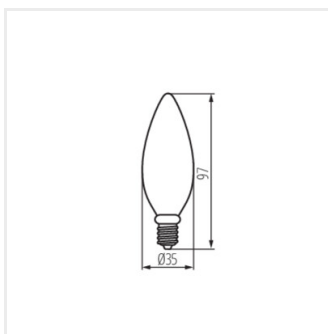
XLED C35E14 7W-WW



XLED C35E14 7W-NW



XLED C35E14 7W-CW



XLED C35 E14

Date of issue: 14.11.2024, 09:54

We reserve the right to make technical changes. The data contained in this material are not legally binding. Photometry: the results obtained from testing were from a specific sample.