

DB

DB-series distribution board



DB104S 1X4P/SMD



In [A]



IP

			In [A]			IP
DB104S 1X4P/SMD	03830	white / grey	50	4P	wall mounted	40
DB106S 1X6P/SMD	03831	white / grey	63	6P	wall mounted	40
DB108S 1X8P/SMD	03832	white / grey	63	8P	wall mounted	40
DB112S 1X12P/SMD	03833	white / grey	63	12P	wall mounted	40
DB118S 1X18P/SMD	03834	white / grey	63	18P	wall mounted	40
DB212S 2X12P/SMD	03835	white / grey	63	2x12P	wall mounted	40
DB312S 3X12P/SMD	03836	white / grey	63	3x12P	wall mounted	40
DB104F 1X4P/FMD	03840	white / grey	50	4P	Recessed mount in the wall	40
DB106F 1X6P/FMD	03841	white / grey	63	6P	Recessed mount in the wall	40
DB108F 1X8P/FMD	03842	white / grey	63	8P	Recessed mount in the wall	40
DB112F 1X12P/FMD	03843	white / grey	63	12P	Recessed mount in the wall	40
DB118F 1X18P/FMD	03844	white / grey	63	18P	Recessed mount in the wall	40
DB212F 2X12P/FMD	03845	white / grey	63	2x12P	Recessed mount in the wall	40
DB312F 3X12P/FMD	03846	white / grey	63	3x12P	Recessed mount in the wall	40
DB102W 1X2P/SM	03850	white	50	2P	wall mounted	30
DB104W 1X4P/SM	03851	white	50	4P	wall mounted	30
DB108W 1X8P/SM	03852	white	63	8P	wall mounted	30
DB112W 1X12P/SM	03853	white	63	12P	wall mounted	30
DB118W 1X18P/SM	03854	white	63	18P	wall mounted	30
DB112F 1X12P/FMD-P	36416	white	63	12P	Recessed mount in the wall	40
DB112S 1X12P/SMD-P	36417	white	63	12P	wall mounted	40
DB118F 1X18P/FMD-P	36418	white	63	18P	Recessed mount in the wall	40
DB118S 1X18P/SMD-P	36419	white	63	18P	wall mounted	40
DB212F 2X12P/FMD-P	36420	white	63	2x12P	Recessed mount in the wall	40
DB212S 2X12P/SMD-P	36421	white	63	2x12P	wall mounted	40
DB312F 3X12P/FMD-P	36422	white	63	3x12P	Recessed mount in the wall	40
DB312S 3X12P/SMD-P	36423	white	63	3x12P	wall mounted	40

DB

DB-series distribution board

DB series switchboards, meeting the requirement for heat resistance at the temperature of 650°C, can be used on non-flammable surfaces only (e.g. full solid walls made of non-combustible materials). They cannot be used on flammable surfaces (e.g. plasterboard, wood boards, etc.), on the so-called “hollow walls” or on technical sections.

- Material: plastic



DB104S 1X4P/SMD



DB106S 1X6P/SMD



DB108S 1X8P/SMD



DB112S 1X12P/SMD



DB118S 1X18P/SMD



DB212S 2X12P/SMD



DB312S 3X12P/SMD



DB104F 1X4P/FMD



DB106F 1X6P/FMD



DB108F 1X8P/FMD



DB112F 1X12P/FMD



DB118F 1X18P/FMD

DB

DB-series distribution board



DB212F 2X12P/FMD



DB312F 3X12P/FMD



DB102W 1X2P/SM



DB104W 1X4P/SM



DB108W 1X8P/SM



DB112W 1X12P/SM



DB118W 1X18P/SM



DB112F 1X12P/FMD-P



DB112S 1X12P/SMD-P



DB118F 1X18P/FMD-P



DB118S 1X18P/SMD-P



DB212F 2X12P/FMD-P



DB212S 2X12P/SMD-P



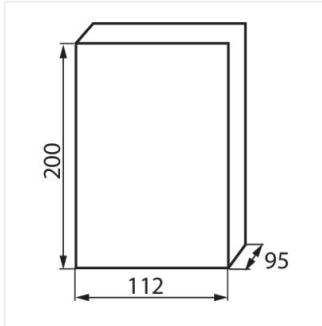
DB312F 3X12P/FMD-P



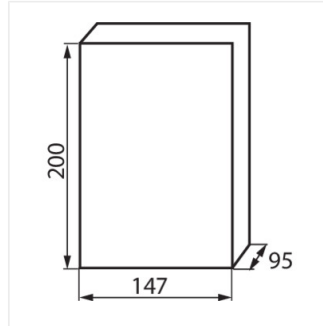
DB312S 3X12P/SMD-P

DB

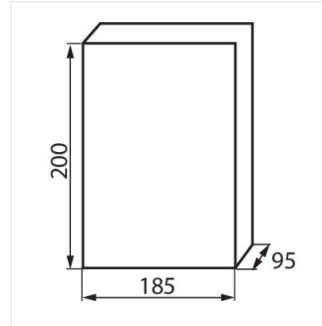
DB-series distribution board



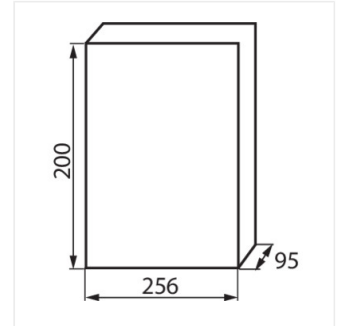
DB104S 1X4P/SMD



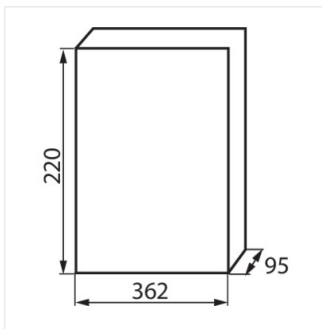
DB106S 1X6P/SMD



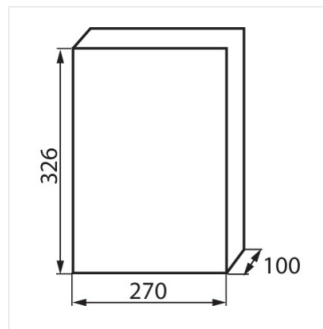
DB108S 1X8P/SMD



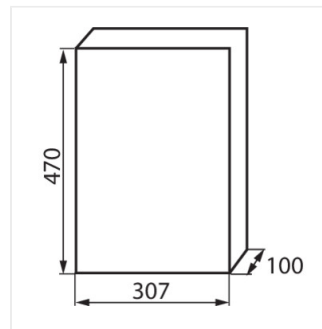
DB112S 1X12P/SMD



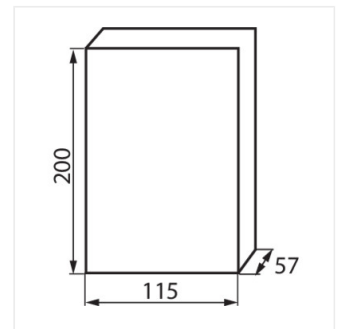
DB118S 1X18P/SMD



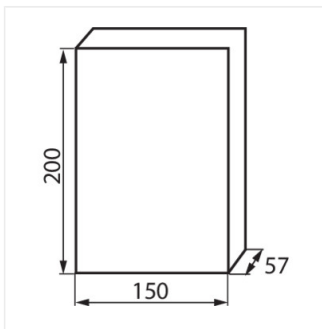
DB212S 2X12P/SMD



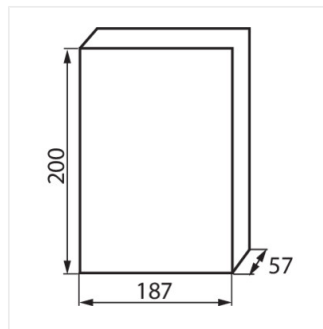
DB312S 3X12P/SMD



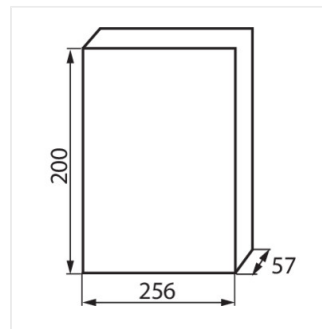
DB104F 1X4P/FMD



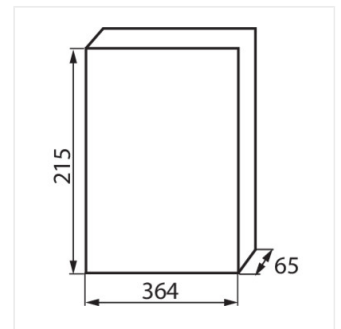
DB106F 1X6P/FMD



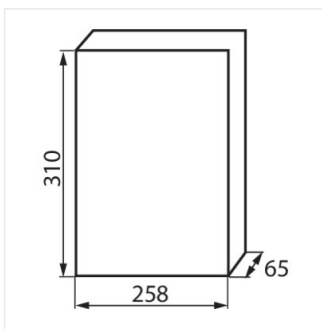
DB108F 1X8P/FMD



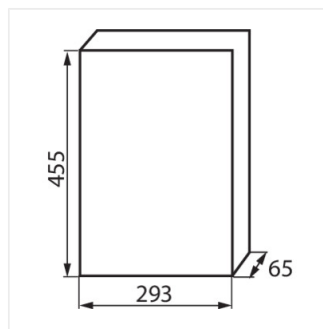
DB112F 1X12P/FMD



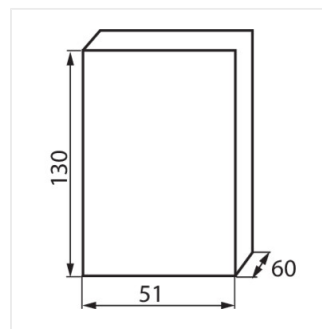
DB118F 1X18P/FMD



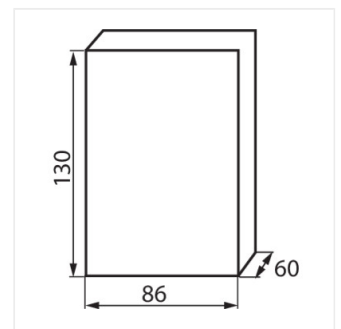
DB212F 2X12P/FMD



DB312F 3X12P/FMD



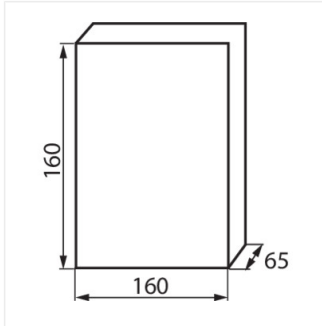
DB102W 1X2P/SM



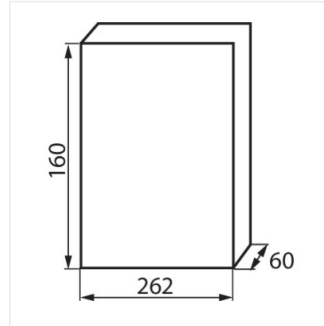
DB104W 1X4P/SM

DB

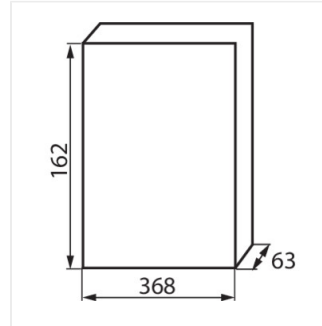
DB-series distribution board



DB108W 1X8P/SM



DB112W 1X12P/SM



DB118W 1X18P/SM