

LCOB 15W/M RGB

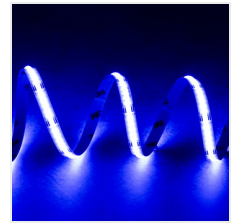
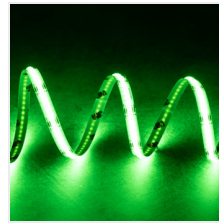
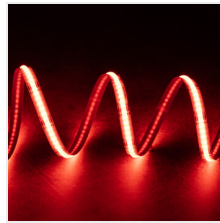
LED light source



24V



24 DC	1m = max 15 (RGB)		ellipse ≤ 6x MacAdam	≥30000		
SMD	30000 [h]		0,1m	5±25		



LCOB 15W/M 24 IP00RGB

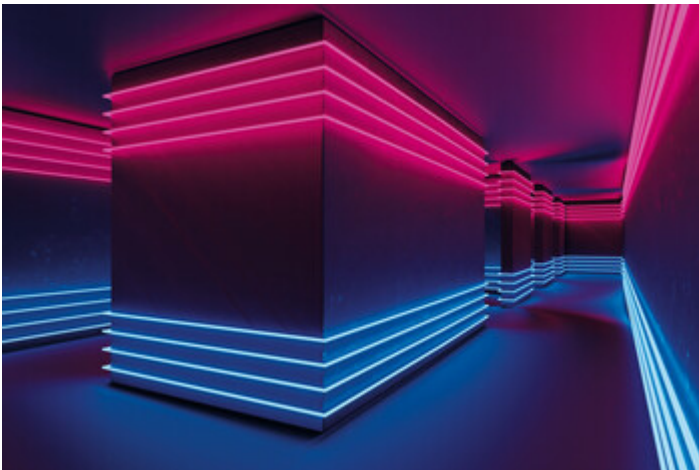


IP



LCOB 15W/M 24 IP00RGB	38430	0,5m = max 7,5	0,5m = max 235	RGB	00	5000
LCOB 15W/M 24 IP65RGB	38431	0,5m = max 7,5	0,5m = max 225	RGB	65	5000

- 3 years Warranty under the terms of the warranty statement, available on our website



LCOB 15W/M RGB

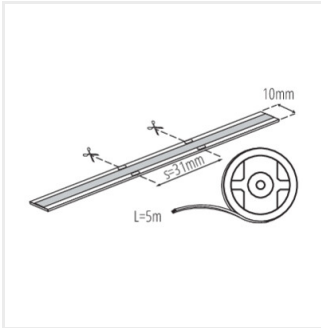
LED light source



LCOB 15W/M 24 IP00RGB



LCOB 15W/M 24 IP65RGB



LCOB 15W/M 24