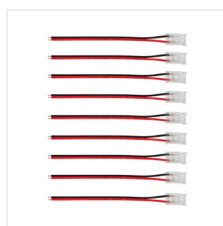
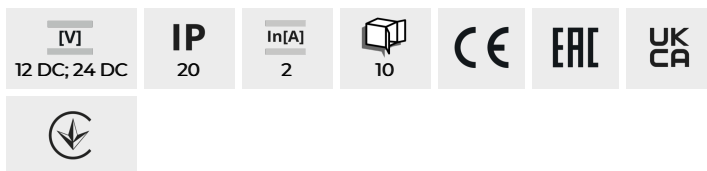


Kanlux



Kanlux CON P

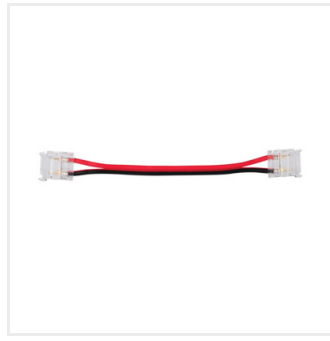


CON P 8 CP

CON P 8 CP	38470
CON P 8 CPC	38471
CON P 8	38472
CON P 8 L	38473



CON P 8 CP



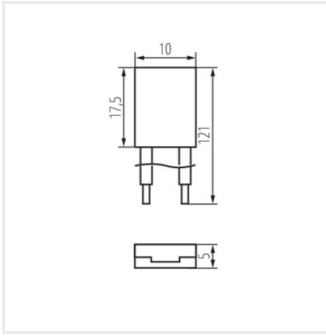
CON P 8 CPC



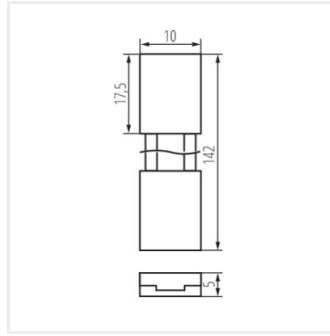
CON P 8



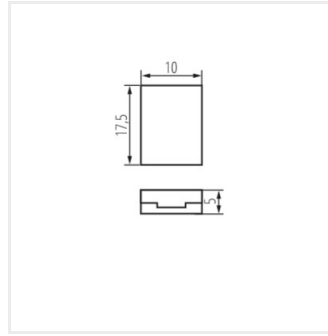
CON P 8 L



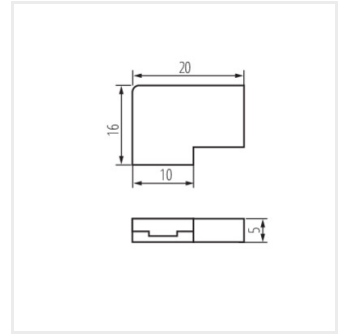
CON P 8 CP



CON P 8 CPC



CON P 8



CON P 8 L

Date of issue: 13.12.2024, 12:55

We reserve the right to make technical changes. The data contained in this material are not legally binding.

Photometry: the results obtained from testing were from a specific sample.

