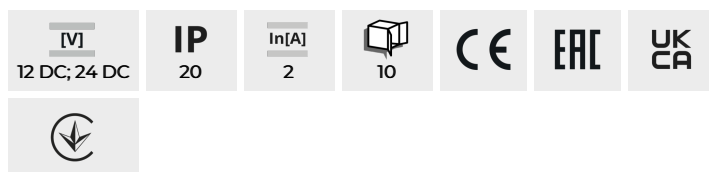


# Kanlux

## Kanlux CON P RGB

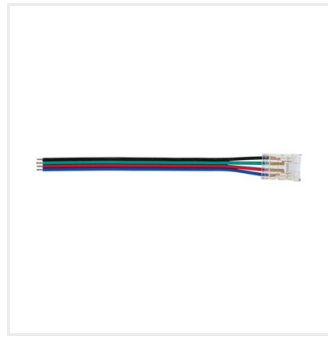


CON P 10 RGB

CON P 10 RGB	38474
CON P 10 RGB CP	38475
CON P 10 RGB CPC	38476



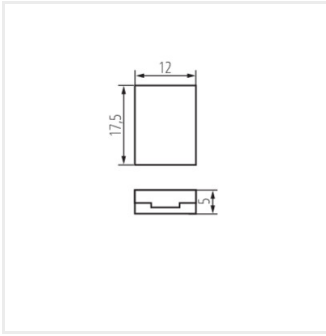
CON P 10 RGB



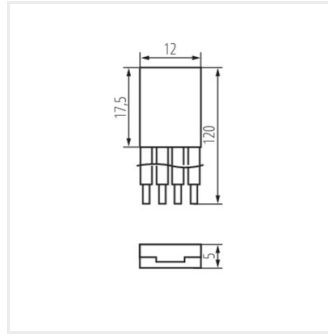
CON P 10 RGB CP



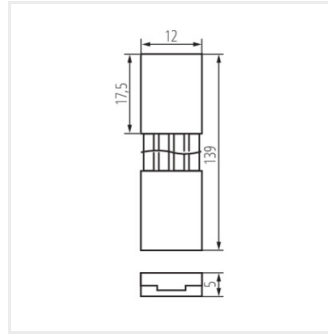
CON P 10 RGB CPC



CON P 10 RGB



CON P 10 RGB CP



CON P 10 RGB CPC

Date of issue: 13.12.2024, 14:25

We reserve the right to make technical changes. The data contained in this material are not legally binding.

Photometry: the results obtained from testing were from a specific sample.