

Kanlux



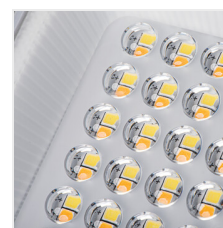
Kanlux ACETE CCT

The Kanlux ACETE series of floodlights is a modern lighting solution that meets the latest market trends. The ACETE series offers the ability to change the color temperature (3000K, 4000K and 6500K), which is becoming a standard on the market. Kanlux ACETE floodlights are available in five powers: 10W, 20W, 30W, 50W and 100W, which allows them to be adapted to a wide range of applications. The series includes two versions - without a sensor and with a PIR sensor, providing even greater flexibility of use. Versions with a PIR sensor offer adjustment of the lighting time, light intensity and detection area. Products from the ACETE series are characterized by high luminous efficiency of 100 lm/W, which guarantees effective lighting with low energy consumption. The solid construction of the cast aluminum fixtures and the plastic (PC) diffuser ensure durability and resistance to weather conditions. ACETE floodlights have a protection class of IP65 for the version without a sensor and IP44 for the version with a motion sensor. The angle-adjustable mounting bracket allows you to precisely set the light direction. Additionally, the connection cable's length of 20 cm makes installation easier. The lighting angle of 90° ensures wide and even light dispersion.

CCT

HIGH
lumen

[V] 220-240 AC	[Hz] 50	Φ_{use} 120°	[°] 90	≥ 15000	[h] 25000	ellipse $\leq 6x$ MacAdam
Ra 80	SMD				[°C] -20÷40	
[°] 180	[m] 0.2	[mm] 1	[m] 1m			





ACETE 10W CCT GR



IP



ACETE 10W CCT GR	38490	10	860 / 1080 / 970	860	3000/4000/6500	65	grey		F
ACETE 20W CCT GR	38491	20	1850 / 2160 / 1940	1850	3000/4000/6500	65	grey		F
ACETE 30W CCT GR	38492	30	2400 / 3240 / 2910	2400	3000/4000/6500	65	grey		F
ACETE 50W CCT GR	38493	50	4300 / 5400 / 4850	4300	3000/4000/6500	65	grey		F
ACETE 100W CCT GR	38494	100	8500 / 10800 / 9700	8500	3000/4000/6500	65	grey		F
ACETE 10W CCT SE GR	38495	10	860 / 1080 / 970	860	3000/4000/6500	44	grey	PIR	F
ACETE 20W CCT SE GR	38496	20	1850 / 2160 / 1940	1850	3000/4000/6500	44	grey	PIR	F
ACETE 30W CCT SE GR	38497	30	2400 / 3240 / 2910	2400	3000/4000/6500	44	grey	PIR	F
ACETE 50W CCT SE GR	38498	50	4300 / 5400 / 4850	4300	3000/4000/6500	44	grey	PIR	F
ACETE 100W CCT SE GR	38499	100	8500 / 10800 / 9700	8500	3000/4000/6500	44	grey	PIR	F



ACETE 10W CCT GR



ACETE 20W CCT GR



ACETE 30W CCT GR



ACETE 50W CCT GR



ACETE 100W CCT GR



ACETE 10W CCT SE GR



ACETE 20W CCT SE GR



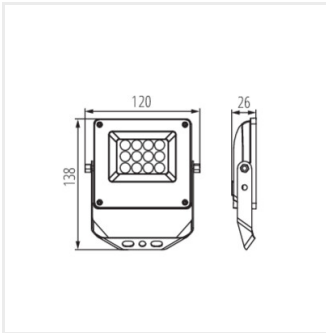
ACETE 30W CCT SE GR



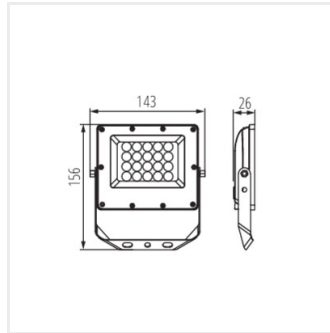
ACETE 50W CCT SE GR



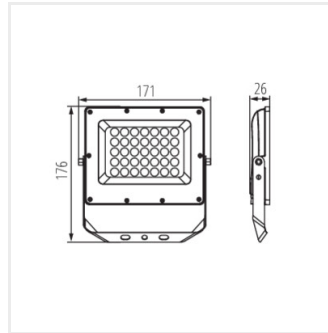
ACETE 100W CCT SE GR



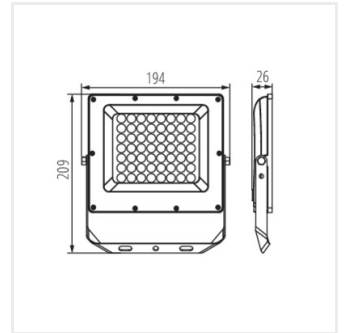
ACETE 10W CCT GR



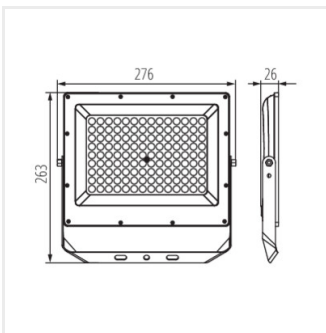
ACETE 20W CCT GR



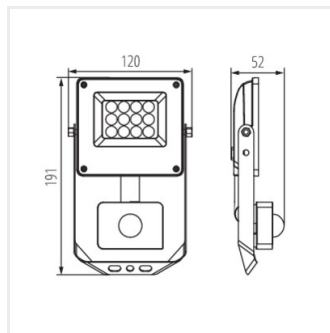
ACETE 30W CCT GR



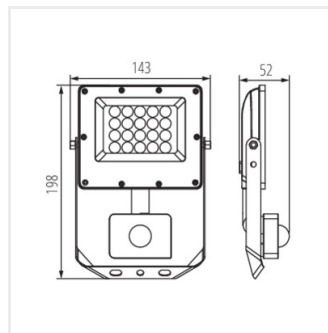
ACETE 50W CCT GR



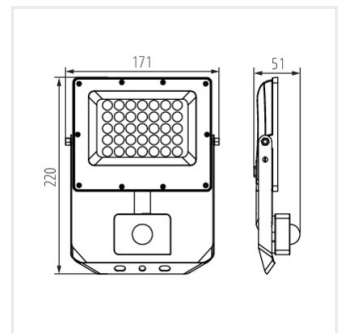
ACETE 100W CCT GR



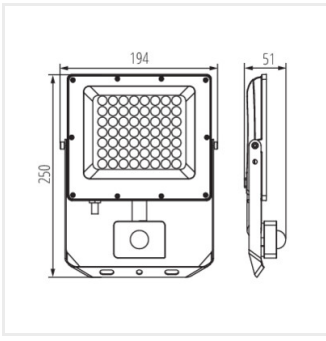
ACETE 10W CCT SE GR



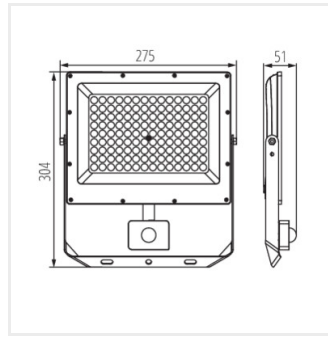
ACETE 20W CCT SE GR



ACETE 30W CCT SE GR



ACETE 50W CCT SE GR



ACETE 100W CCT SE GR

Date of issue: 09.01.2025, 09:40

We reserve the right to make technical changes. The data contained in this material are not legally binding.
Photometry: the results obtained from testing were from a specific sample.